



RAZER CHROMA LIGHT STRIP EXPANSION KIT

MASTER GUIDE

Build on your ultimate RGB vision with the **Razer Chroma Light Strip Expansion Kit** — addressable RGB accessories that deliver maximum customizability and immersion that goes beyond your PC.

CONTENTS

1. WHAT'S INSIDE / WHAT'S NEEDED	3
2. LET'S GET YOU COVERED	4
3. TECHNICAL SPECIFICATIONS	4
4. GETTING STARTED.....	5
5. SAFETY AND MAINTENANCE	7
6. LEGALESE	8

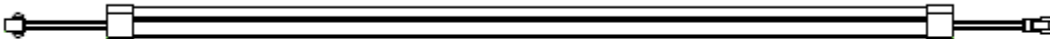
1. WHAT'S INSIDE / WHAT'S NEEDED

WHAT'S INSIDE

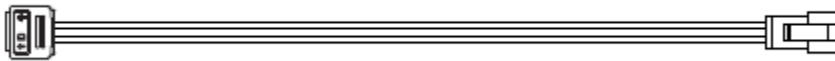
- 1 x 100 cm LED strip



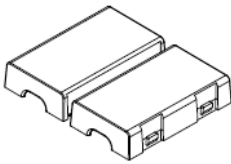
- 2 x 50 cm LED strips



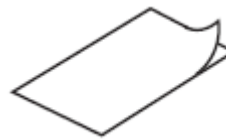
- 3 x Controller to LED strip connector cables*



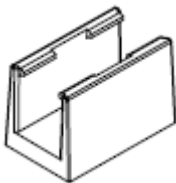
- 3 x LED Strip protector clips



- 15 x Bracket adhesive tapes



- 15 x Mounting brackets



- Important Product Information Guide

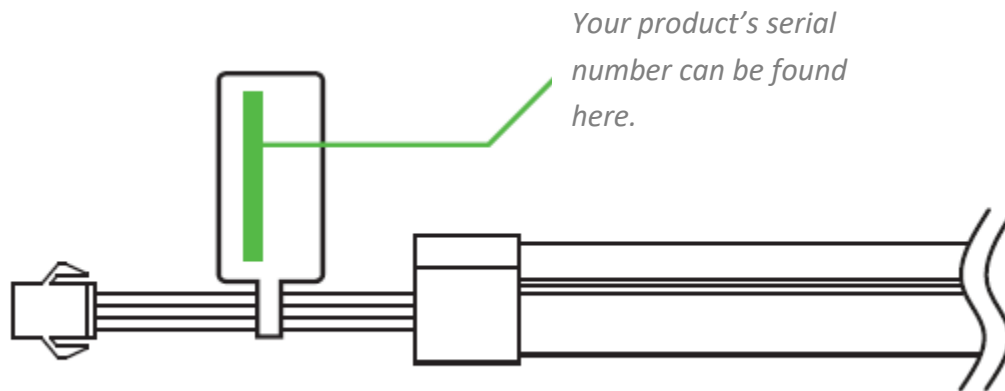
WHAT'S NEEDED

- Razer Chroma Wireless ARGB Controller
or
- Razer Chroma ARGB Controller

**May also work with other 3-pin 5V controllers or motherboards with 3-pin 5V addressable headers. To know if your device supports this product, please refer to its product specifications.*

2. LET'S GET YOU COVERED

You've got a great device in your hands, complete with a 1-year limited warranty coverage. Now maximize its potential and score exclusive Razer benefits by registering at razerid.razer.com



Your product's serial number can be found here.

Got a question? Ask the Razer Support Team at support.razer.com

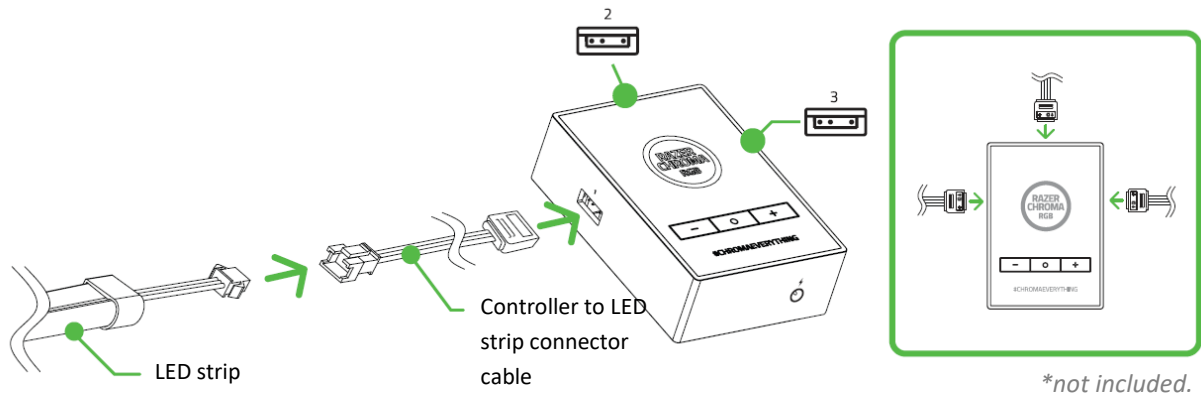
3. TECHNICAL SPECIFICATIONS

- 3 LED Light Strips (1 x 100 cm, 2 x 50 cm)
- 100 cm light strip - 60 LEDs each
- 50 cm light strip - 30 LEDs each
- 3-pin 5V Addressable RGB LED
- Supports daisy-chaining
- Easy mounting using included brackets and double-sided adhesive

4. GETTING STARTED

SETTING UP THE ARGB CONTROLLER

1. Insert the controller to LED strip connector cable(s) to any of the available 3-pin 5V ports of the ARGB controller* and plug the LED strip(s) as needed.



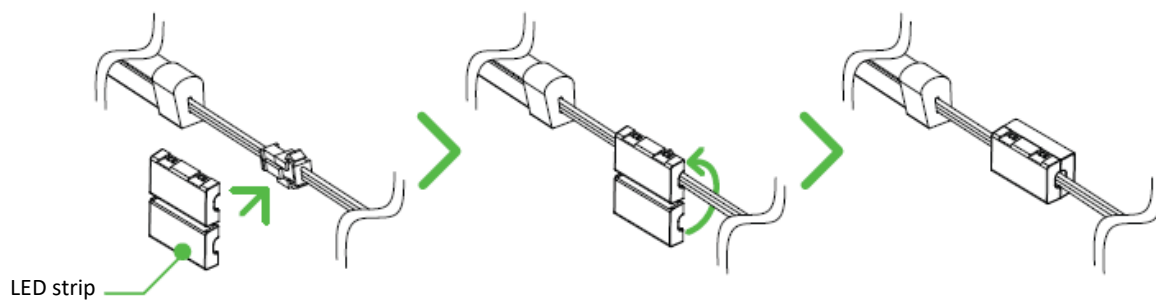
- i** Before plugging a controller to LED strip connector cable to the ARGB controller, make sure that the ARGB controller is powered off and the chosen port is properly aligned to the cable's connector.

You can also simply connect the new LED strip(s) to the existing (and connected) LED strips in your setup.

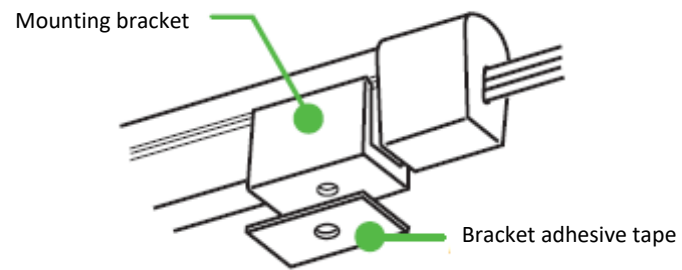
- i** For further details about the maximum amount of LEDs supported by your ARGB controller and/or motherboard, please refer to its product specifications and/or manual.

(Optional) With an LED strip attached to a controller to LED strip connector cable, you may also directly connect it to any of the 3-pin 5V addressable RGB headers on your motherboard if an internal lighting setup is preferred.

2. Enclose all new LED strip connections using the included protector clips to keep them from being unplugged or exposed to undue pressure.



3. To mount any LED strip, insert the LED strip into mounting bracket(s) and attach it to surfaces using bracket adhesive tape(s) as required in your setup.



You can now power on your ARGB controller.

5. SAFETY AND MAINTENANCE

SAFETY GUIDELINES

In order to achieve maximum safety while using your Razer Chroma Light Strip Expansion Kit, we suggest that you adopt the following guidelines:

- Power off your device before making any relocation, modifications, and/or connecting/disconnecting any component.
- Always handle all included accessories with care. When plugging or unplugging any accessory, always grip its plug/connector.
- When connecting LED strips to your device please power off and unplug it first to avoid electric shocks.
- Don't open or cut any of the LED strips.
- Don't use or install your device and its components near water, moisture, solvents, or other wet surfaces, nor expose these components to high temperatures or direct sunlight.
- Don't connect the LED strips to other non-compatible products. To know if your device supports this product, please refer to its product specifications.
- The minimum bending radius of each LED strip should not be less than 10cm.
- Keep the device and its components away from liquid, humidity or moisture.

6. LEGALESE

COPYRIGHT AND INTELLECTUAL PROPERTY INFORMATION

©2021 Razer Inc. All rights reserved. Razer, the triple-headed snake logo, Razer logo, “For Gamers. By Gamers.”, and “Razer Chroma” logo are trademarks or registered trademarks of Razer Inc. or affiliated companies in the United States and other countries. All other trademarks are the property of their respective owners.

Razer Inc. (“Razer”) may have copyright, trademarks, trade secrets, patents, patent applications, or other intellectual property rights (whether registered or unregistered) concerning the product in this guide. Furnishing of this guide does not give you a license to any such copyright, trademark, patent or other intellectual property right. The Razer Chroma Light Strip Expansion Kit (the “Product”) may differ from pictures whether on packaging or otherwise. Razer assumes no responsibility for such differences or for any errors that may appear. Information contained herein is subject to change without notice.

LIMITED PRODUCT WARRANTY

For the latest and current terms of the Limited Product Warranty, please visit [razer.com/warranty](https://www.razer.com/warranty).

LIMITATION OF LIABILITY

Razer shall in no event be liable for any lost profits, loss of information or data, special, incidental, indirect, punitive or consequential or incidental damages, arising in any way out of distribution of, sale of, resale of, use of, or inability to use the Product. In no event shall Razer’s liability exceed the retail purchase price of the Product.

GENERAL

These terms shall be governed by and construed under the laws of the jurisdiction in which the Product was purchased. If any term herein is held to be invalid or unenforceable, then such term (in so far as it is invalid or unenforceable) shall be given no effect and deemed to be excluded without invalidating any of the remaining terms. Razer reserves the right to amend any term at any time without notice.

