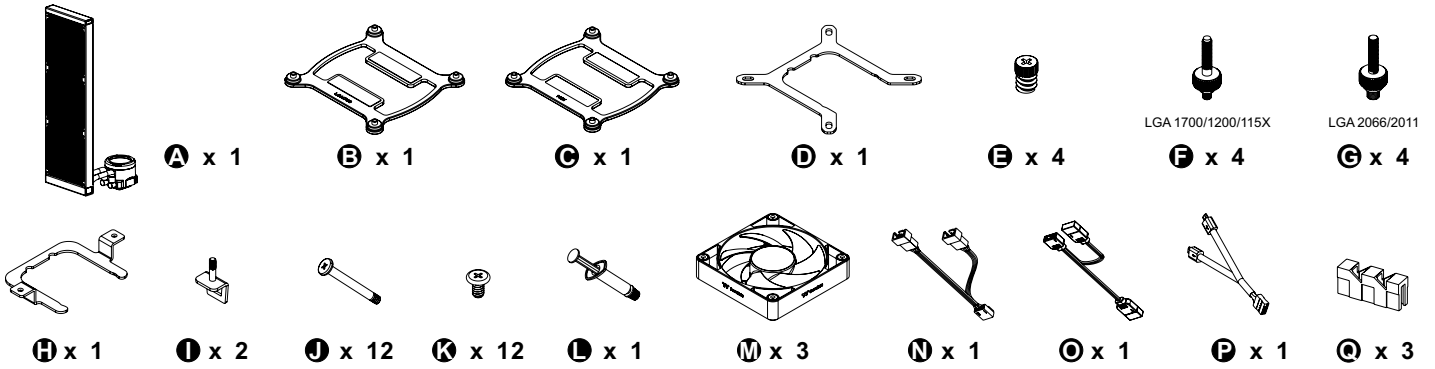
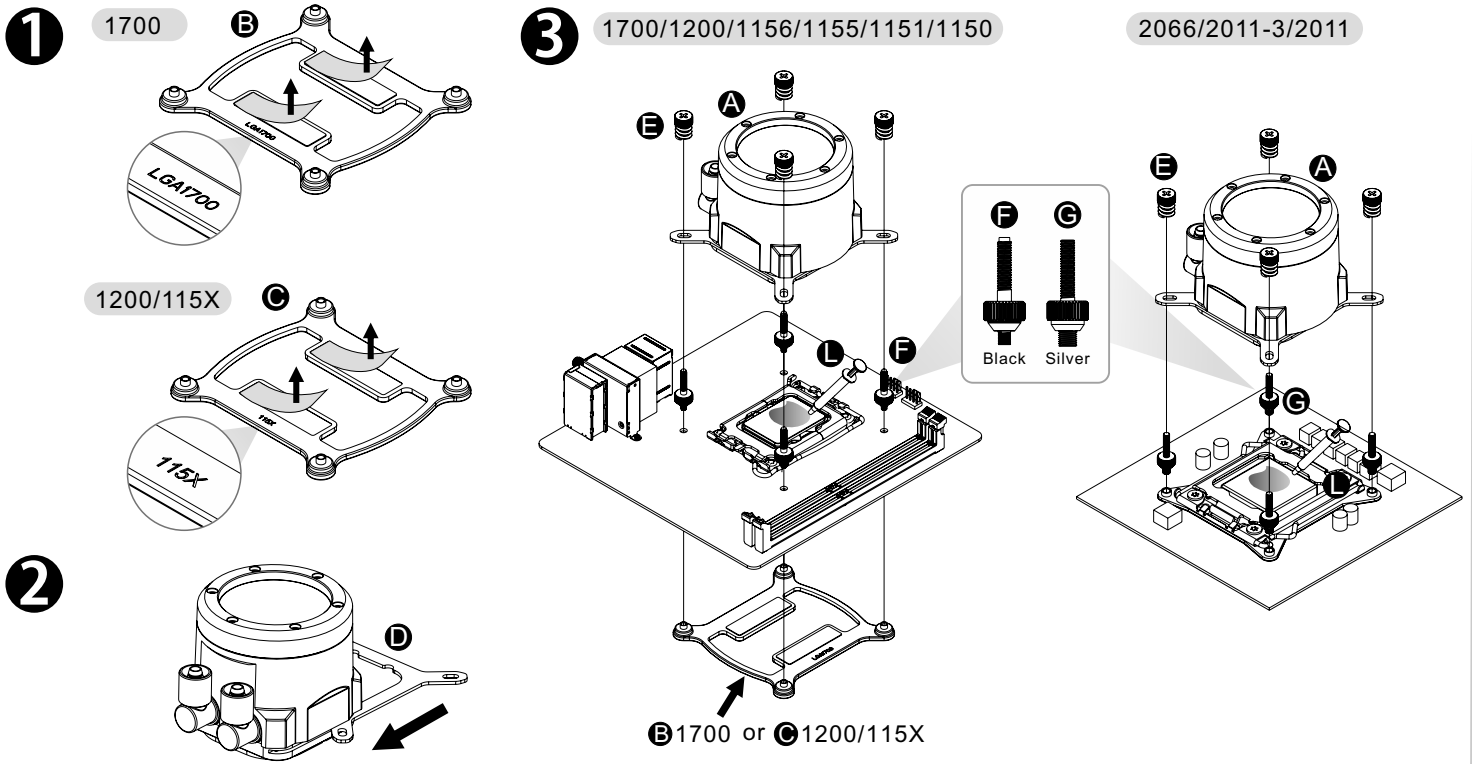




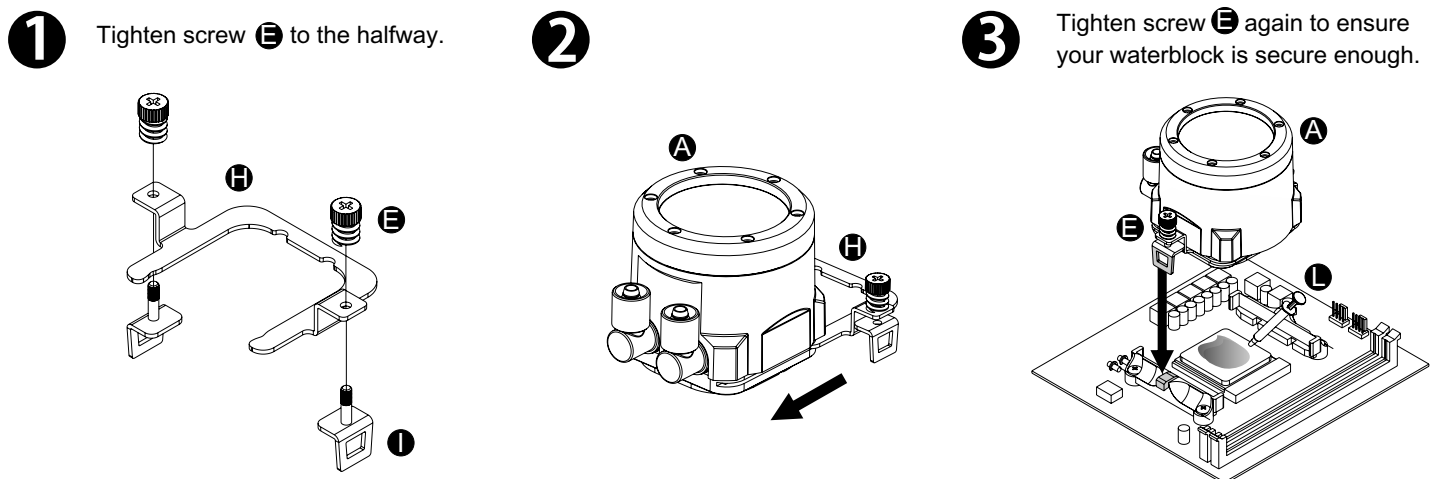
Parts List



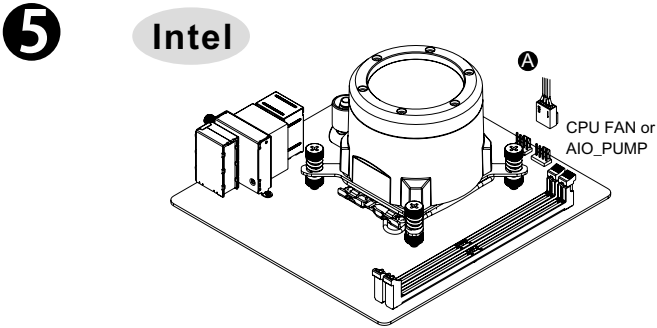
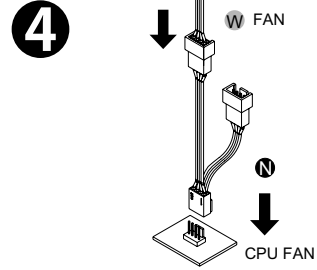
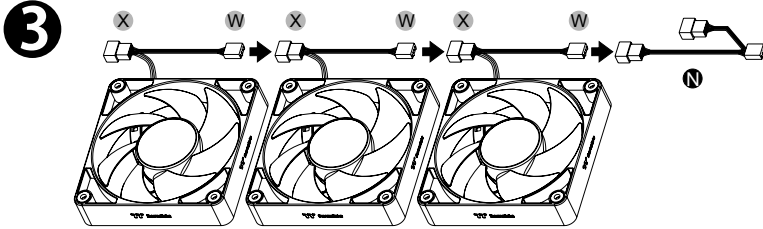
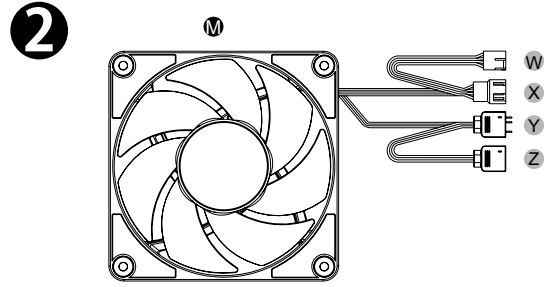
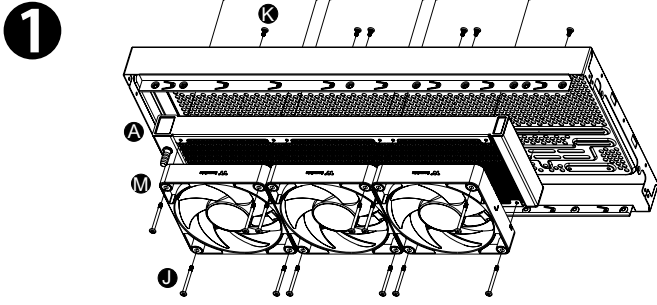
Intel Installation Guide



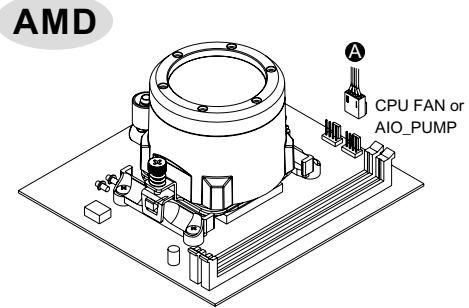
AMD Installation Guide



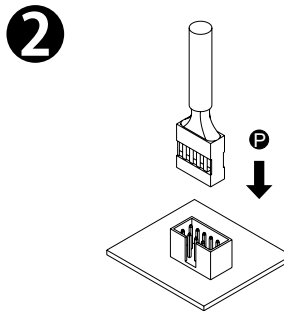
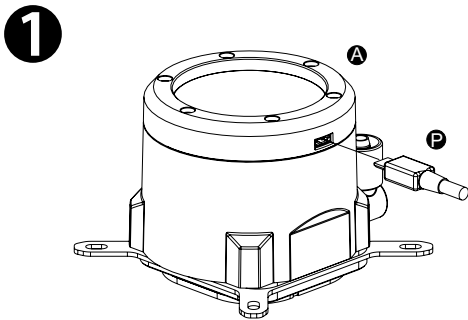
Installation Guide



or



LCD Display Setup Guide



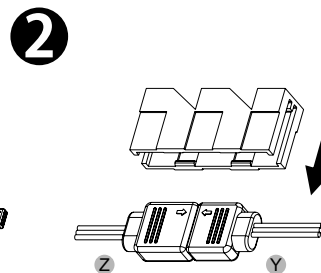
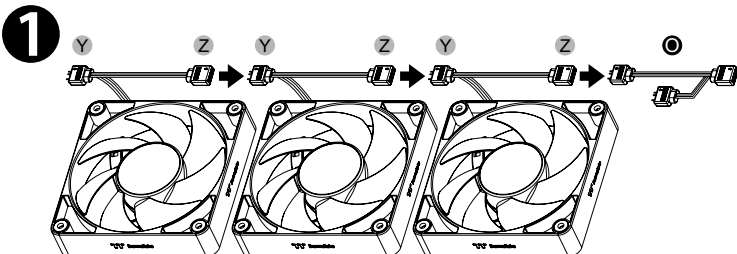
CAUTION

To control the LCD display by TT RGB PLUS Software, Please connect the water block and motherboard with cable P.

MB SYNC Installation Guide

CAUTION

Please power off the PC and check the Positive and Negative ends on the connector before connecting the cable to mainboard. Connecting the wrong end can damage the fans.



The specifically designed clip could ensure the cable is connected properly

