

FIGHTER

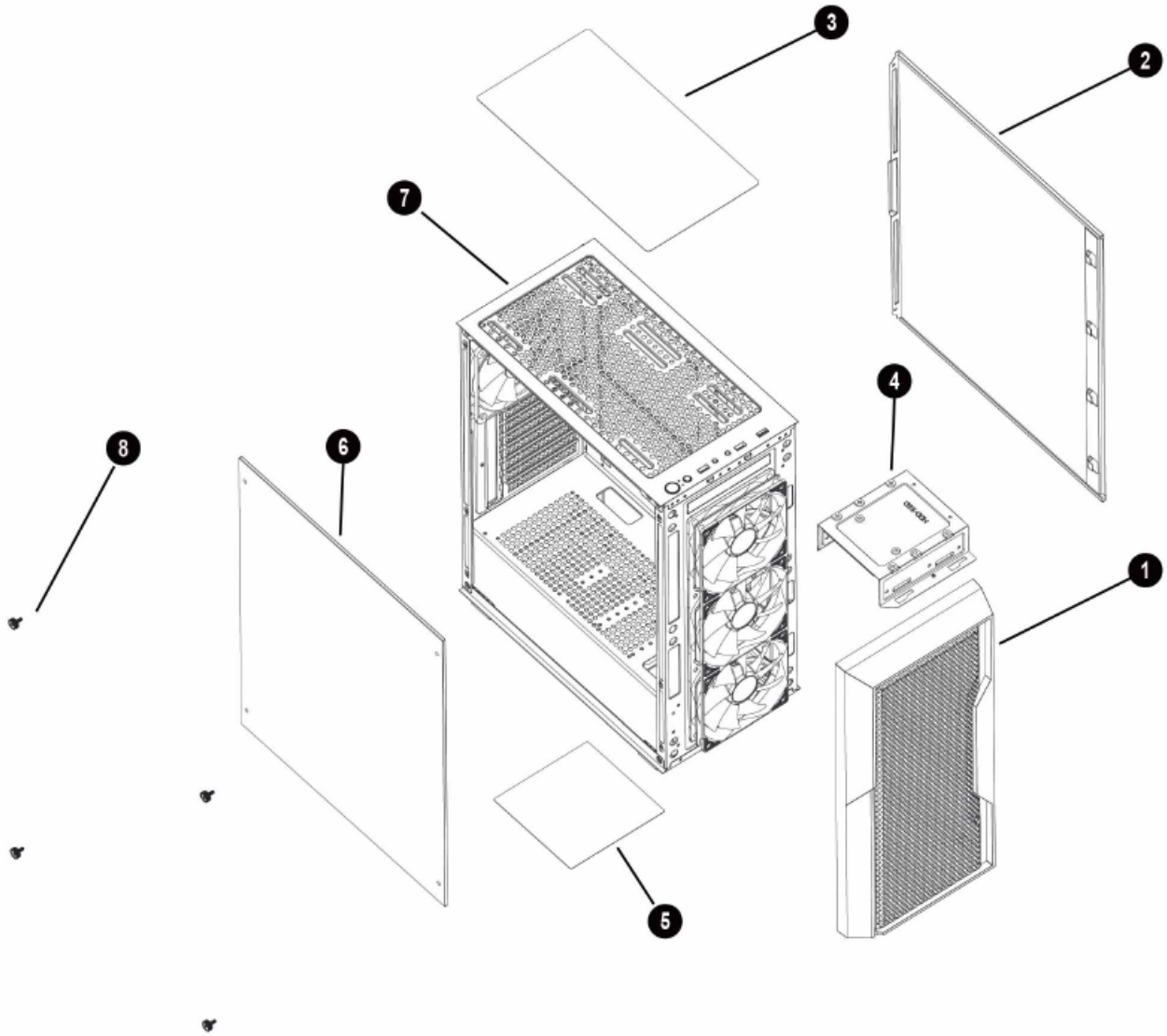
USER MANUAL

1. Specifications
2. Chassis Parts
3. Control Panel Functions
4. 3.5"/2.5" HDD/SSD Installation
5. Remove the Front panel
6. Remove the left glass side panel
7. Cooling System Installation
8. Fan Installation

Specifications

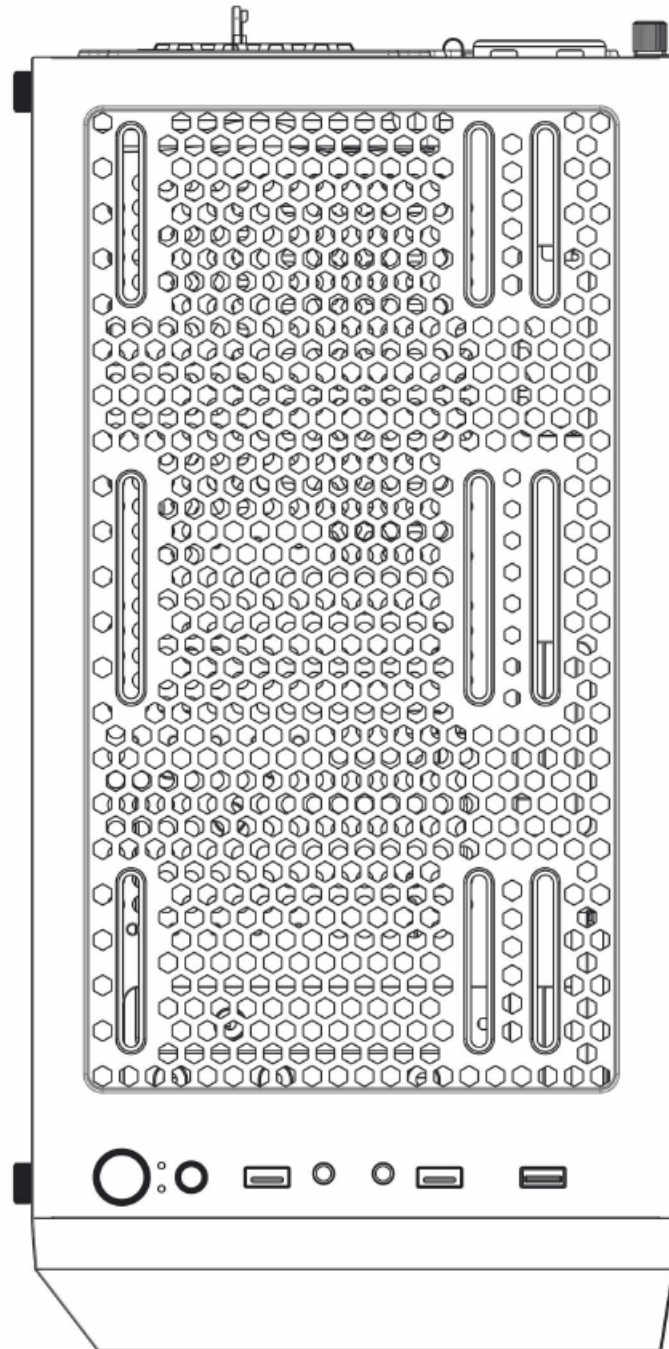
Model	
Model Name:	Fighter
Model Number:	CSAZ-290
Specifications	
Type:	ATX Mid Tower
Color:	Black
Side Panel Window:	Left side panel: Tempered glass with rubber mounts
Max CPU Cooler Height:	UP to 155 mm
Max Video Card Length:	Up to 320 mm long video card
Power Supply:	Not included
Motherboard Compatibility:	ATX 、 Micro ATX 、 ITX
Expansion	
External 5.25" Drive Bays:	0
Internal 2.5" Drive Bays:	Up to 3
Internal 3.5" Drive Bays:	Up to 2
Expansion Slots:	7
Top Ports:	Power button, LED button, HD Audio, USB 2.0 x2, USB 3.0 x1
Physical Specifications	
Physical Dimension(HxWxD)	450x195x390mm/17.7x7.7x15.4 inches
Weight:	4.6Kg /10.1lbs
Features	
Addressable RGB Light Effects:	ARGB fans are controlled using the LED button. All addressable RGB devices can sync with the motherboard, allowing the motherboard software to control lighting directly.
Available Fan Ports:	3x120mm fan ports in the front (3x120mm LFO-5312D One-piece ARGB Fan included) 2x120mm or 2x140mm fan ports on the top 1x120mm fan port in the rear (1x120mm LFO-5312D ARGB Fan included) 2 x 120 mm fan ports on the PSU shroud
Water Cooling:	Supports radiators up to 360mm in the Front
Dust Filters:	Removable (magnetic) dustproof net on the top , dust filter on bottom of chassis.
Power Supply Support:	Bottom mounted ATX Power Supply




Chassis Parts





1	Front panel
2	Metal side panel
3	Removable magnetic mesh
4	Hard disk cage
5	Dust filter mesh
6	Tempered glass panel
7	Chassis
8	Glass panel screws

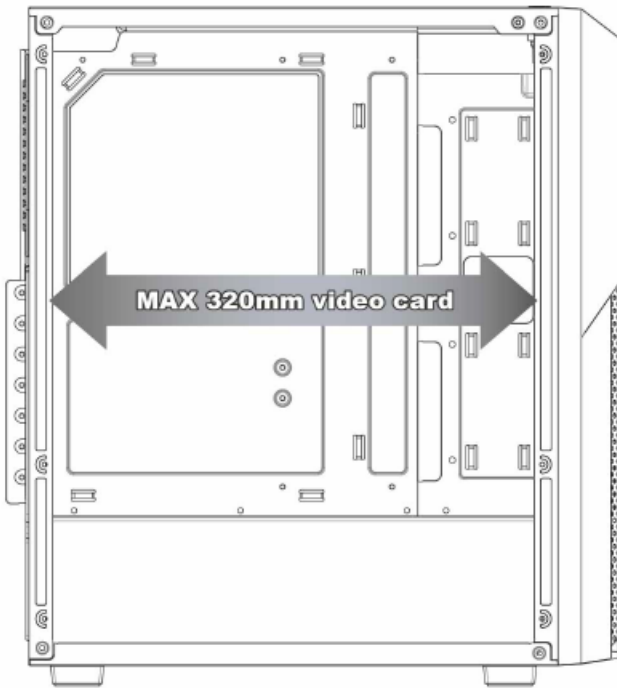
Control Panel Functions



	POWER
	LED
	HD Audio

	USB 2.0
	USB 3.0

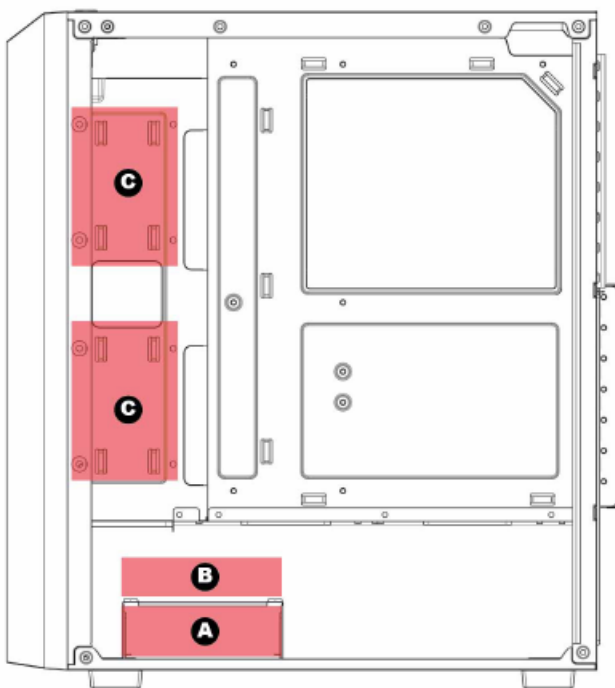
3.5" / 2.5" HDD/SSD Installation



- Supports up to 320mm long video cards.

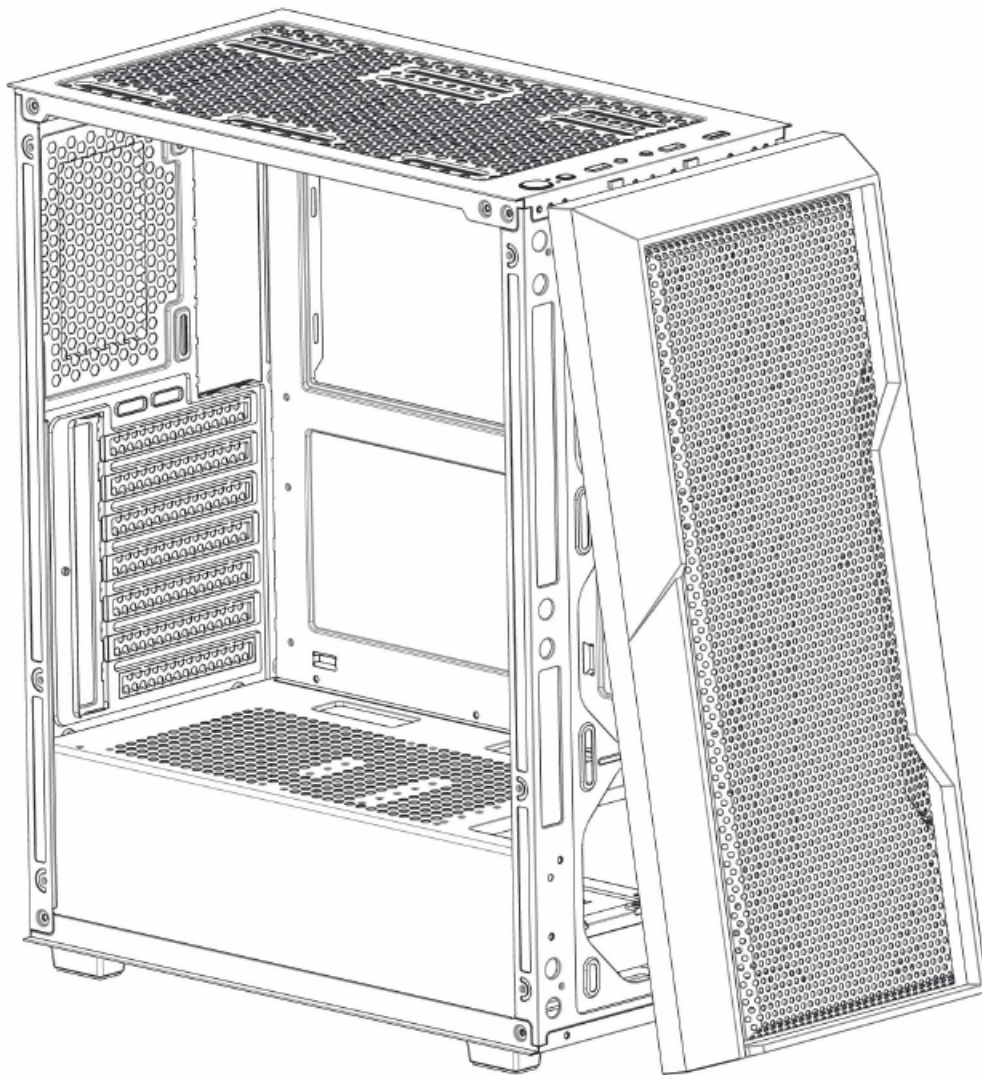


or

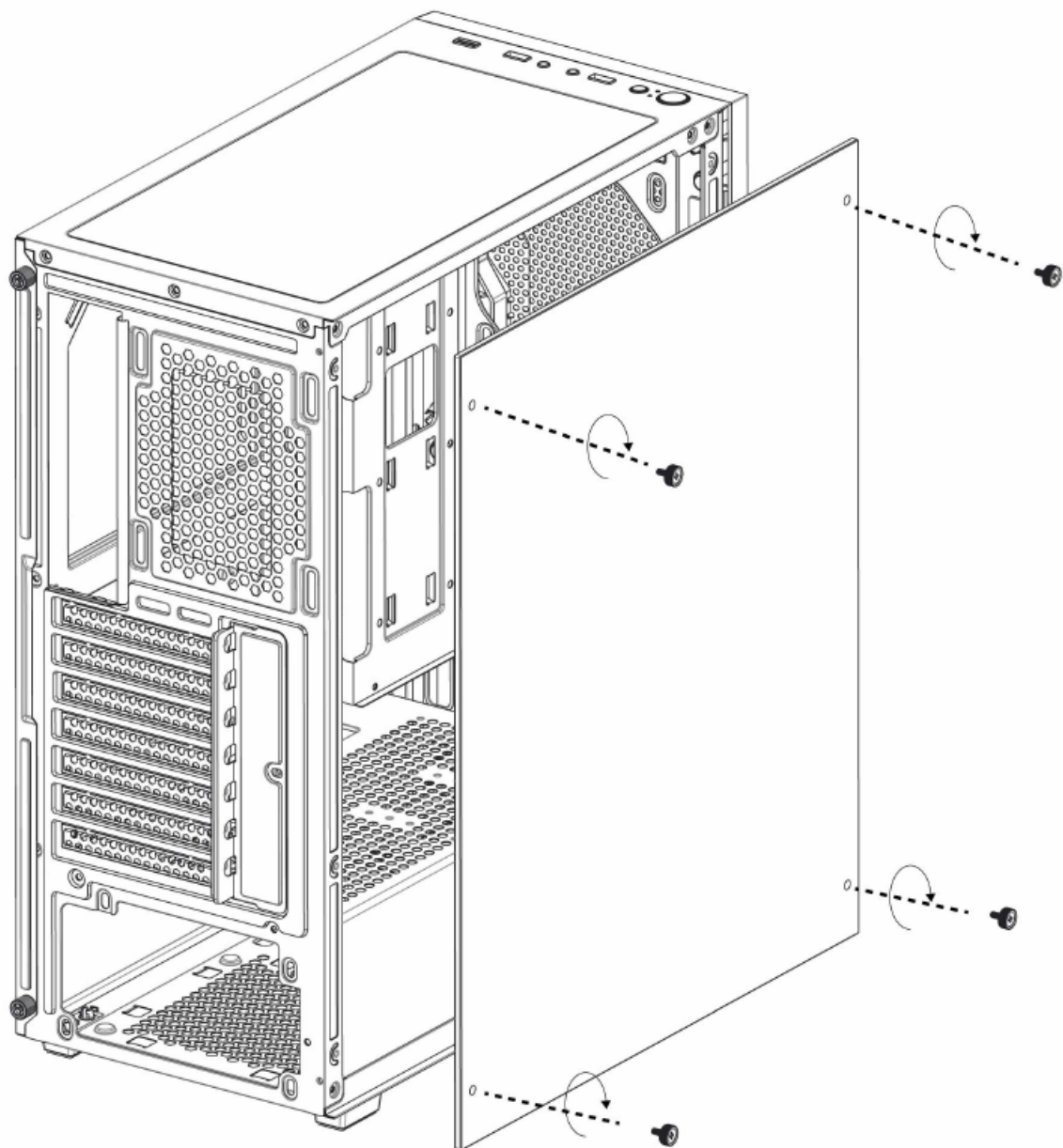


- Multifunctional hard disk bracket supports 3.5" HDD x 1 (**A**)
- Multifunctional hard disk hole support 2.5" SSD x 2 (**C**)
- Multifunctional hard disk cage supports 3.5" HDD x 1 or 2.5" SSD x 1 (**B**)

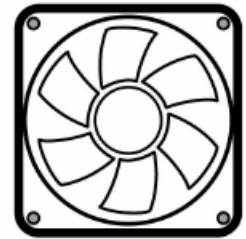
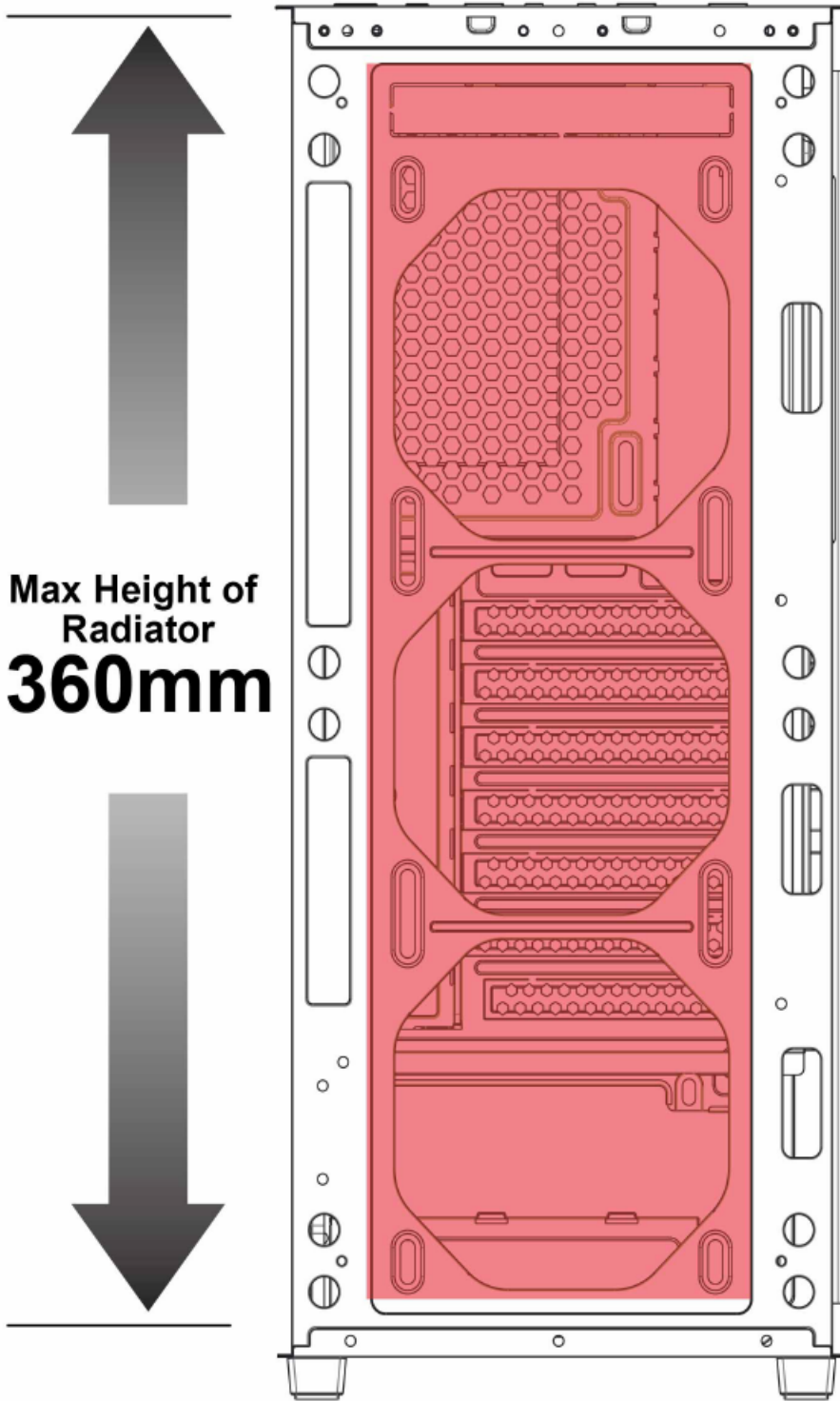
Remove the Front panel



Remove the left glass side panel

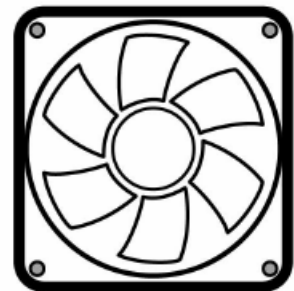


Front



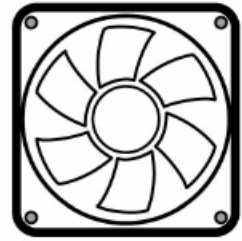
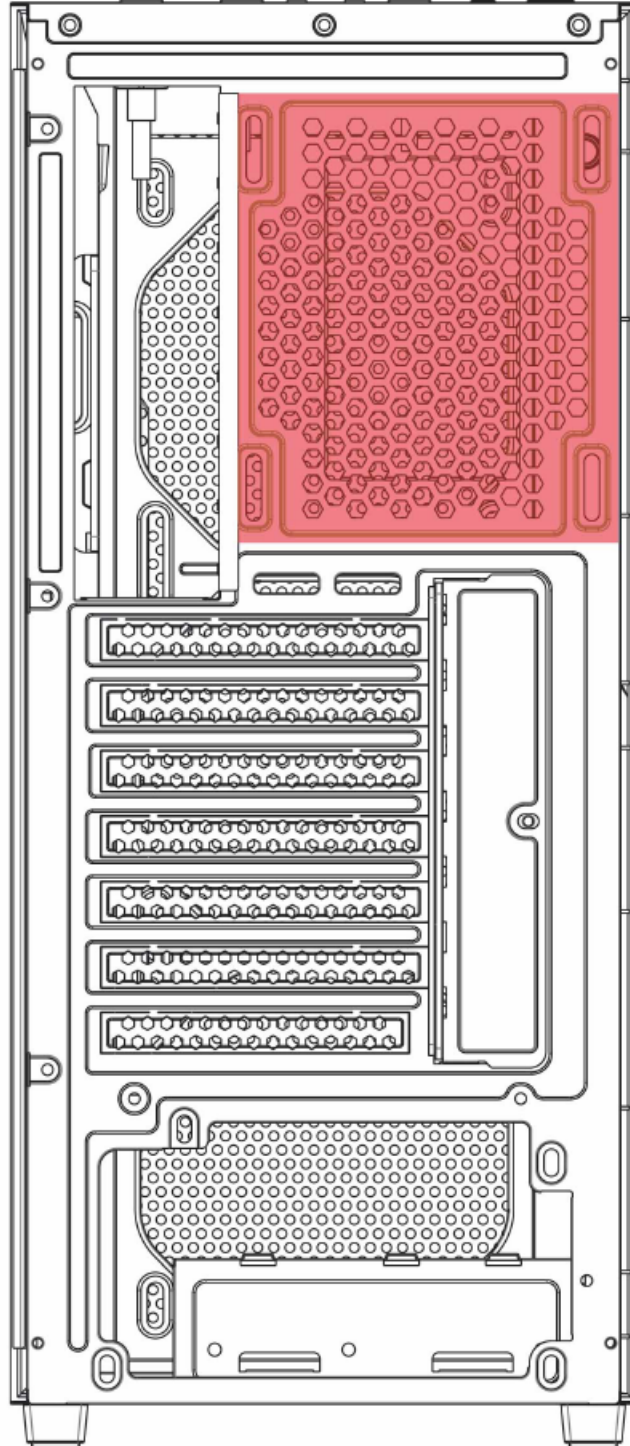
120mm x3

or



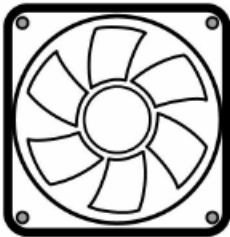
140mm x3

Rear



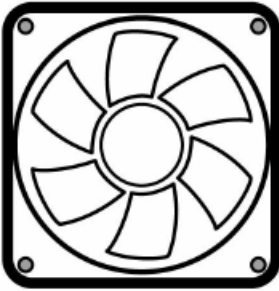
120mm x1

Top

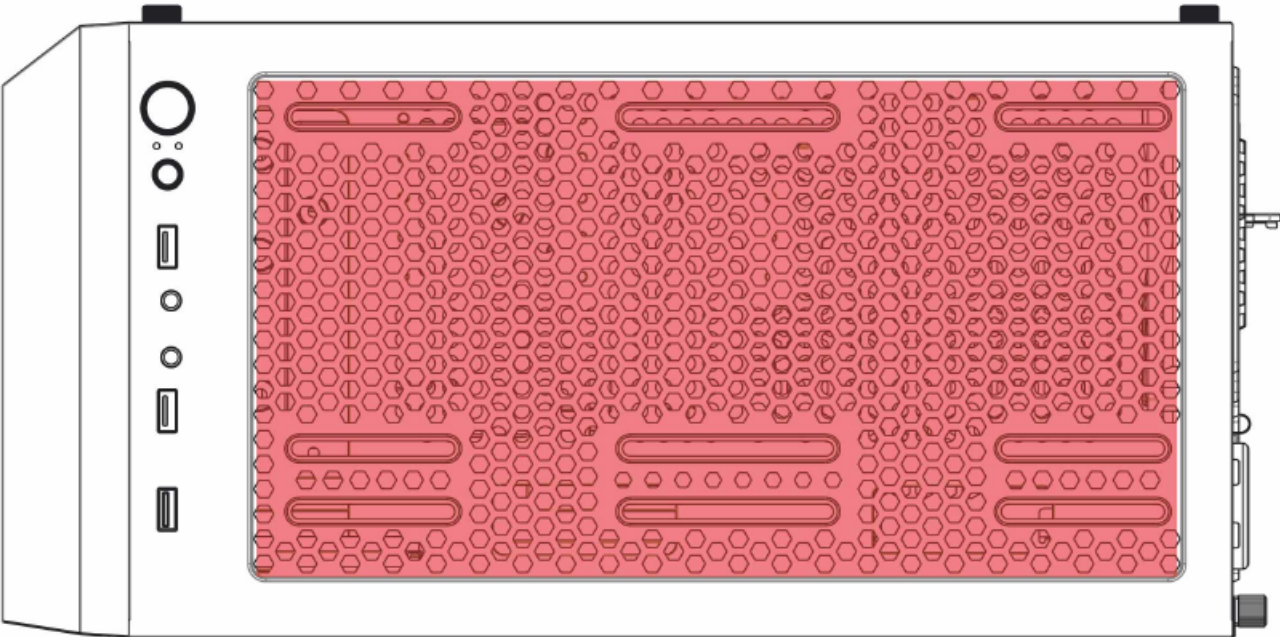


120mm x2

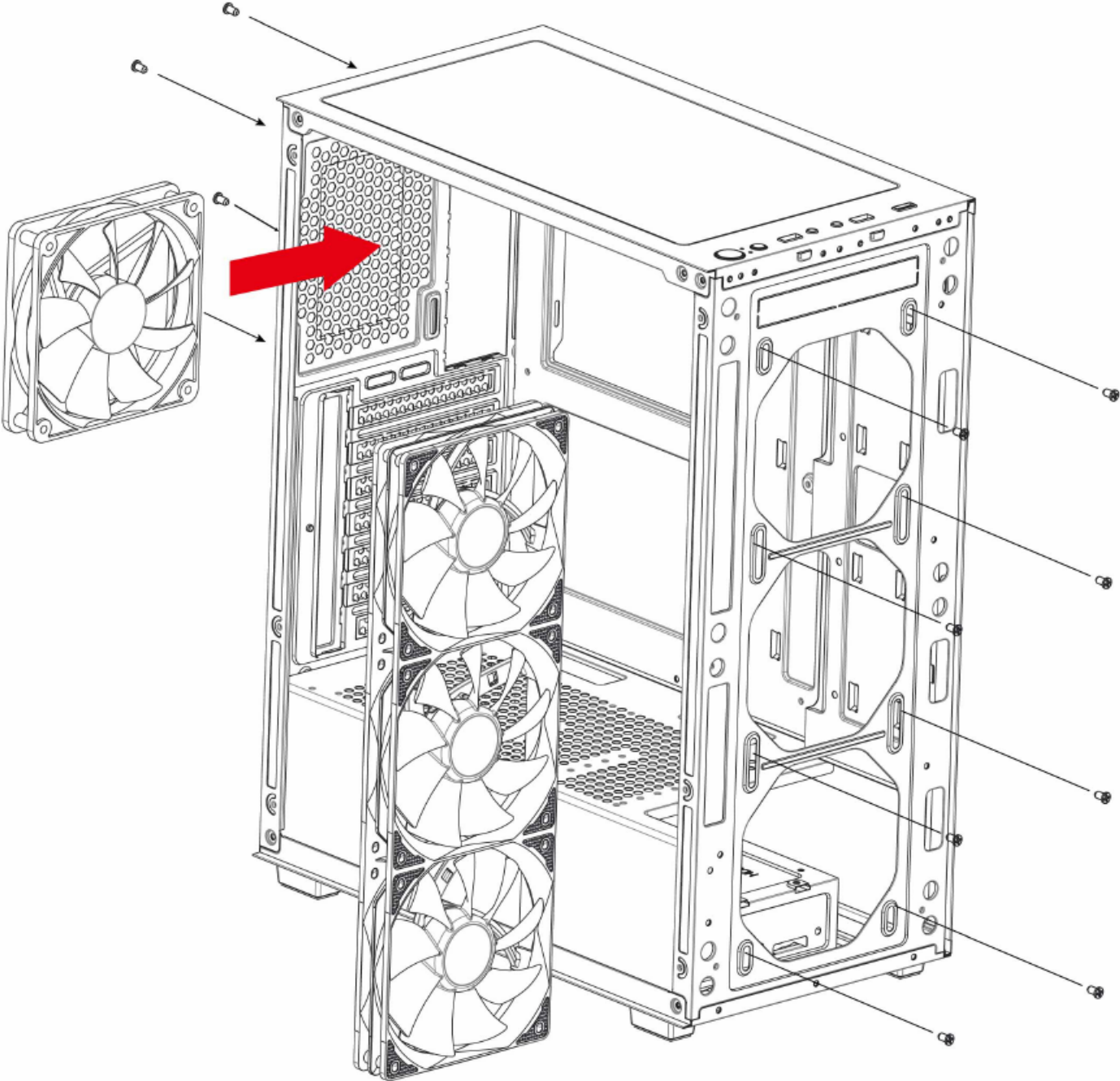
or



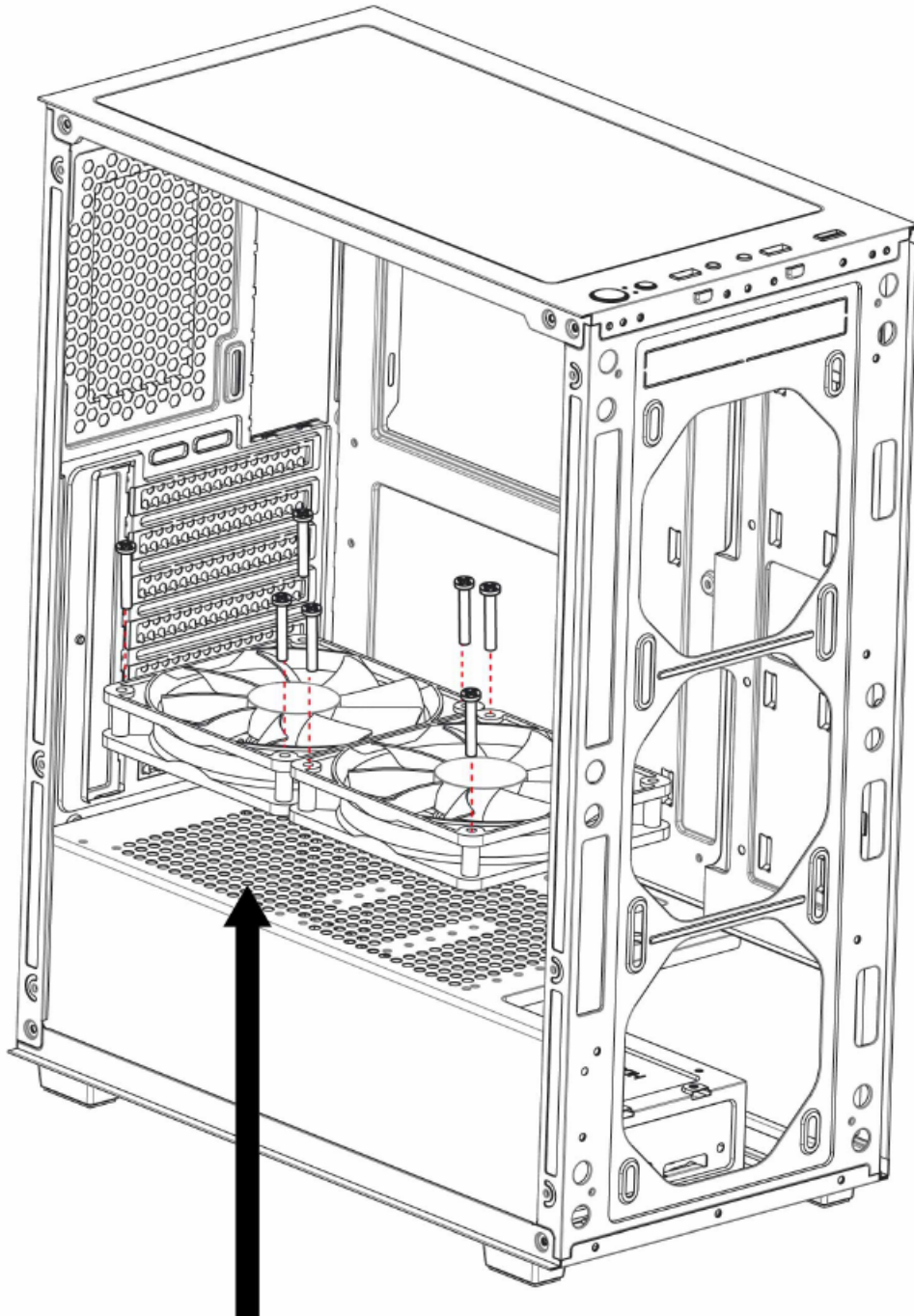
140mm x2



Fan Installation

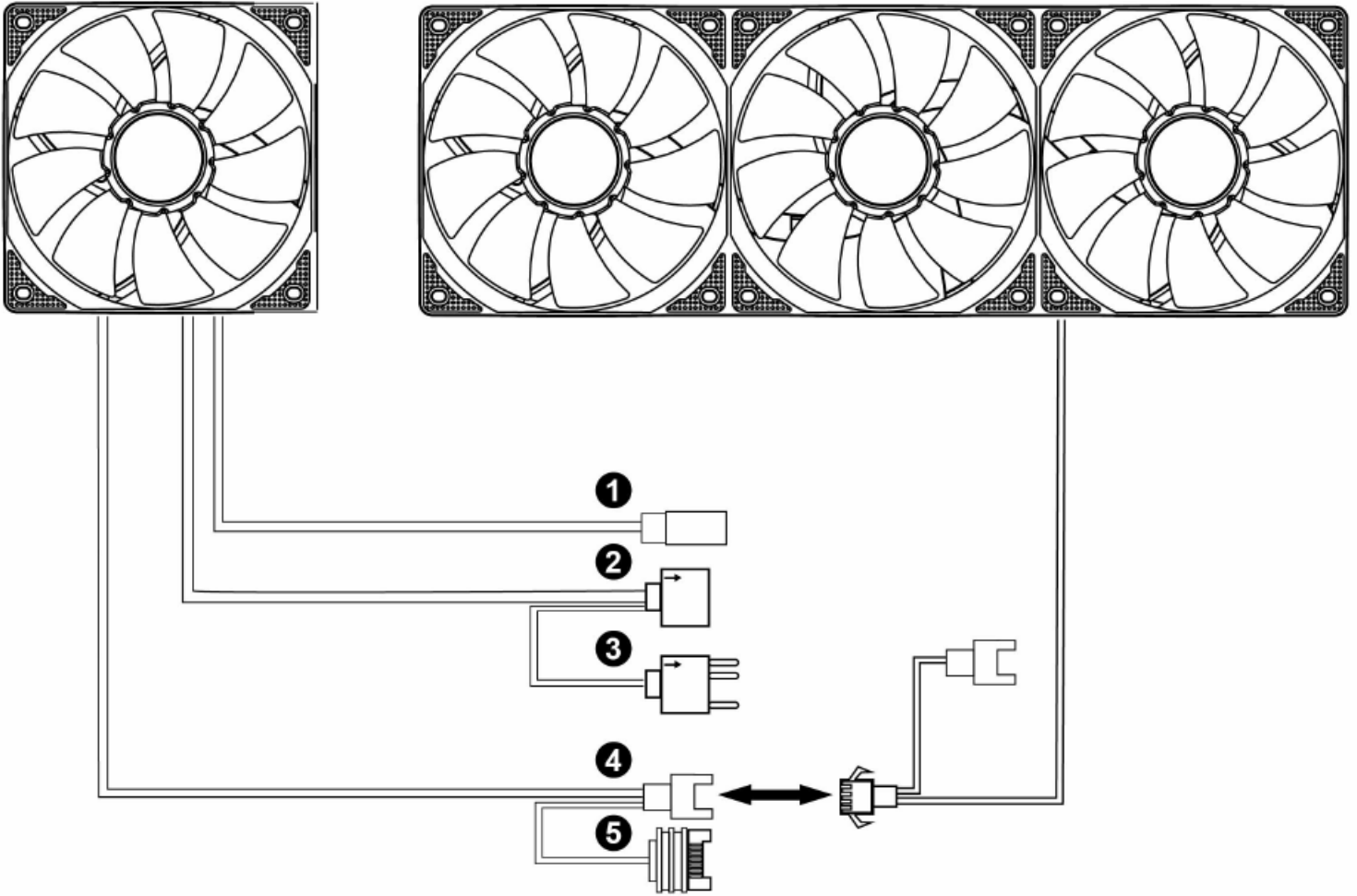


Fans Installation



2x120mm fan ports on the Power Supply Shroud

Fan Installation



	CONNECTOR	CONNECTION
①	Reset (LED) S/W (2pin)	LED Button
②	ARGB LED 5V (3pin) female connector	The 5V/3pin ARGB socket of the motherboard
③	ARGB LED 5V (3pin) male connector	Other 5V/3pin ARGB devices
④	Fan Connector	The master Fan connect to the sub-fan
⑤	SATA	Power Supply

※ Before the fan starts, please make sure the SATA connector ⑤ is connected.

※ Press the LED button to cycle through different RGB lighting modes, all ARGB devices are controlled by the LED button. (make sure the other 3pin ARGB device is connected with ③)

※ Ensure ② insert the motherboard, and hold the LED button for 3 seconds to switch the RGB control function to the motherboard RGB sync. software. Press the LED button for 1 second, to switch the RGB control function to the LED button.