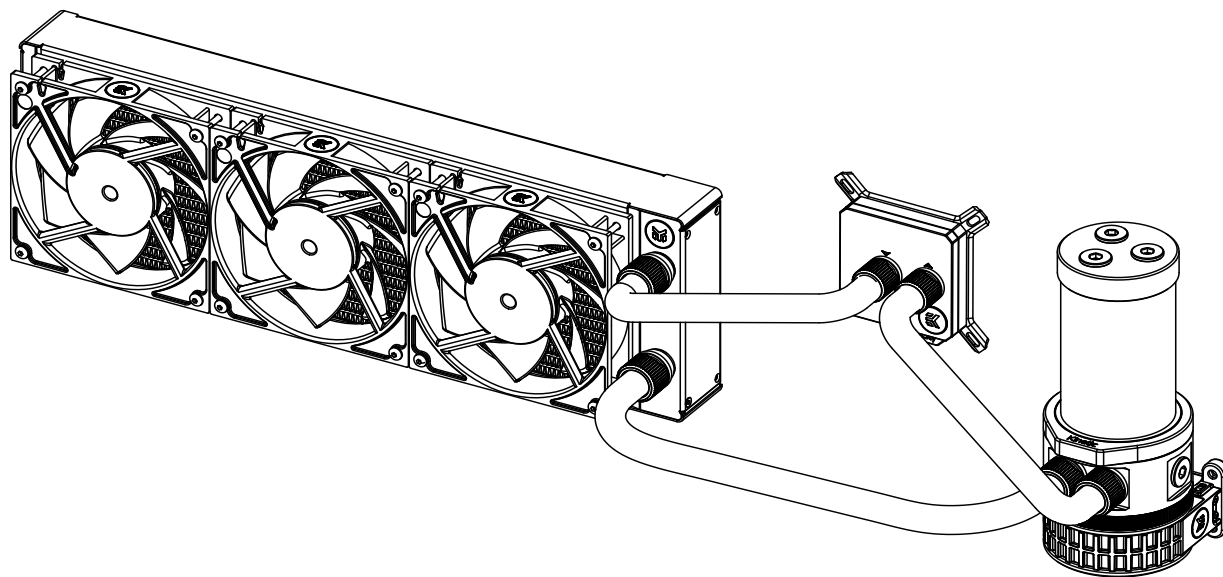


EK-Quantum Power Kit 240/360

LIQUID COOLING KIT





Safety precautions

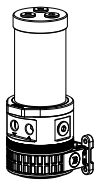
1. Keep the product away from the reach of children.
2. Check the component list and condition of the product before installation. If there is any problem, contact the shop where you have purchased the product to get a replacement or refund.
3. EKWB is not responsible for any damages due to external causes, including but not limited to, improper use, problems with electrical power, accidents, neglect, alteration, repair, improper installation, and improper testing.
4. CPU and motherboard are subject to damage if the product is incorrectly installed.
5. This product is a CPU liquid cooling kit, comprising of individual, original EKWB parts. Combining this liquid cooling unit with parts other than EK Water Blocks products may lead to warranty loss.
6. The product warranty period is 24 months.

TABLE OF CONTENT

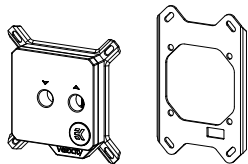
SCOPE OF DELIVERY	4	TROUBLESHOOTING	38
REQUIRED TOOLS	5	CLEANING GUIDE	39
QUICK INSTALLATION GUIDE		PREVENTIVE STEPS	39
RADIATOR SPACE REQUIREMENTS	6	SUPPORT AND SERVICE	40
INSTALLATION TIPS FOR NOVICES	7	SOCIAL MEDIA	40
LIQUID COOLING SYSTEM	7		
GENERAL INFORMATION ON WATER BLOCK COMPATIBILITY	8		
ENCLOSED IN THE PACKAGE	8		
CPU MOUNTING MECHANISM	9		
REPLACING THE JET PLATE	10		
INSTALLING THE WATER BLOCK	11		
LGA-2011(-3)/2066* SOCKET MOTHERBOARDS	11		
LGA-115X SOCKET MOTHERBOARDS	13		
AMD® SOCKET MOTHERBOARDS	16		
INSTALLING THE RADIATOR AND FANS	20		
METHOD 1	20		
METHOD 2	22		
INSTALLING THE PUMP-RESERVOIR COMBO UNIT	24		
MOUNTING MECHANISM	24		
CONNECTING THE TUBING	27		
ELECTRICAL INSTALLATIONS	29		
CONNECTING THE PUMP-RESERVOIR UNIT	29		
CONNECTING THE FANS	30		
RECOMMENDED FILLING AND LEAK TESTING PROCEDURE	31		
CONNECTING THE FANS, PUMP AND CPU D-RGB LIGHTS	32		
FILLING THE SYSTEM FOR THE FIRST TIME	33		
DRAINING THE LOOP	35		
SYSTEM EXPANSION POSSIBILITIES	36		
MAINTENANCE TIPS	37		

SCOPE OF DELIVERY

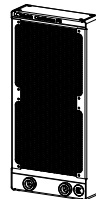
Pump-Reservoir Unit



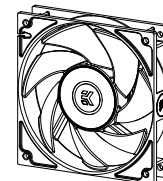
CPU Water Block with AMD® Mounting Plate



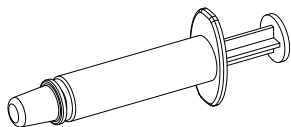
Radiator



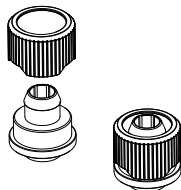
D-RGB Fans



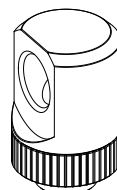
Thermal Grease



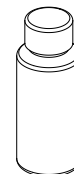
EK-Torque STC Fittings



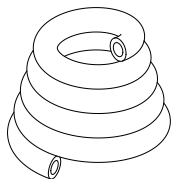
EK-Torque angled Fittings



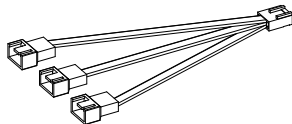
EK-CryoFuel Clear
(concentrate 100 mL)



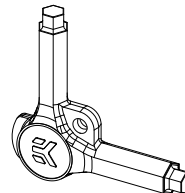
Tube



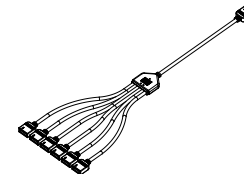
Fan Cable Y-splitter



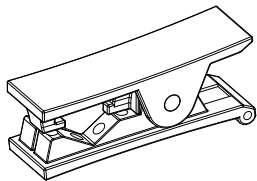
EK-Loop Multi Allen Key



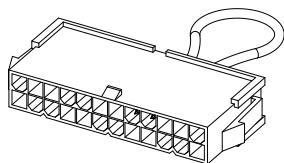
EK-D-RGB 6-Way
Splitter Cable



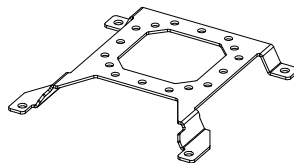
EK-Loop Soft Tube Cutter



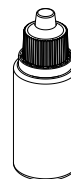
ATX Bridging Plug



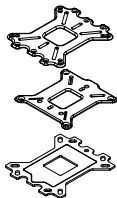
Uni Pump Reservoir Bracket



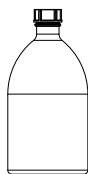
EK-CryoFuel Dye Pack



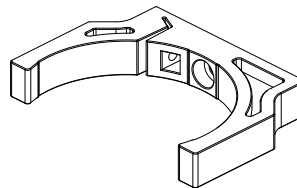
CPU Backplate Mechanism



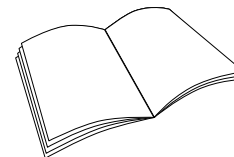
Filling Bottle



RES X3 Holder - 60 mm

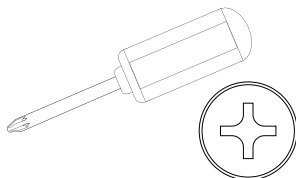


Installation Manual

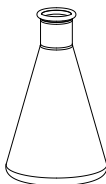


REQUIRED TOOLS

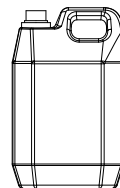
Phillips-head Screwdriver



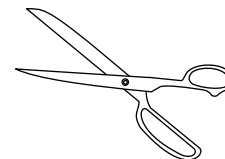
Mixing Bottle



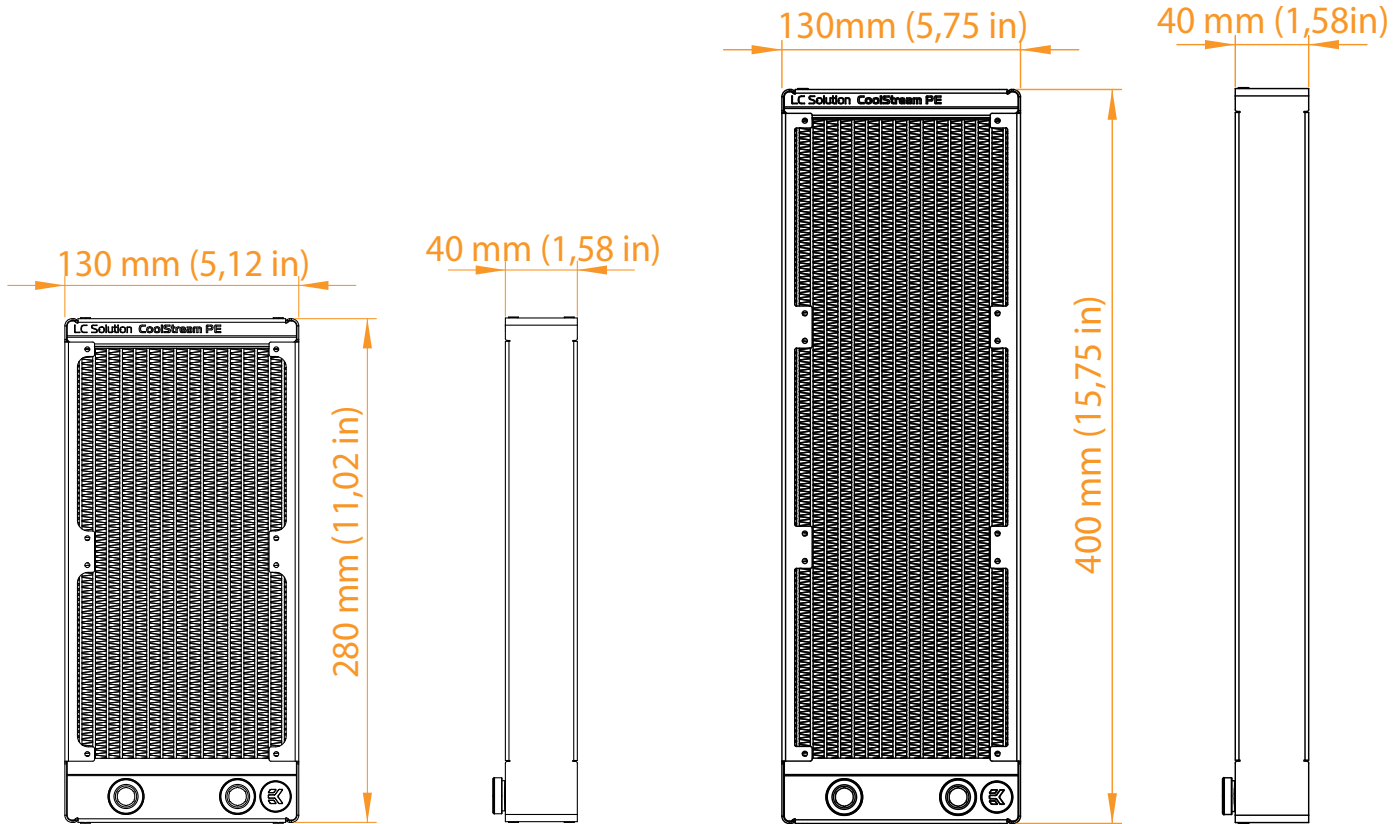
1L Bottle of distilled Water



Scissors



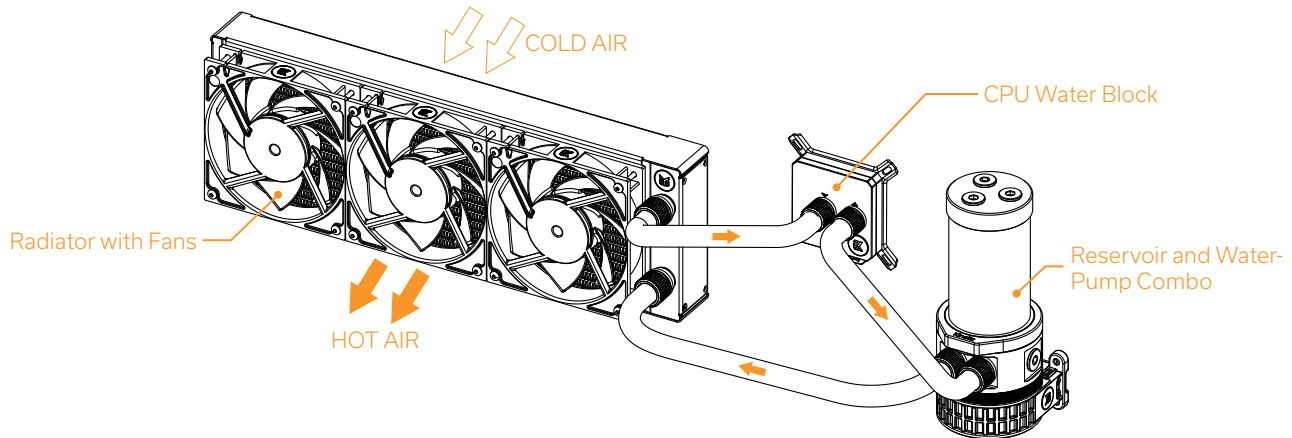
RADIATOR SPACE REQUIREMENTS



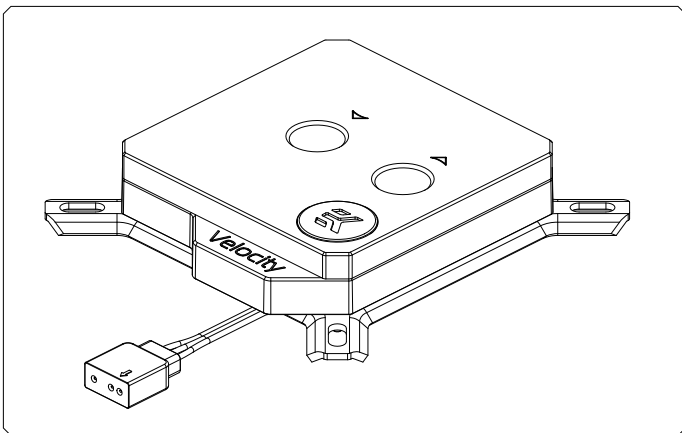
INSTALLATION TIPS FOR NOVICES

1. To lower the shipping cost, we have decided to enclose the coolant concentrate only. Therefore, you need to provide 1 liter (1L) of distilled water. You can find it at every gas station or supermarket.
2. **Never run this system on tap water** and always use the enclosed cooling concentrate in the right ratio.
3. **Never use alcohol**, alcohol derivatives, or alcohol-based solvents in the system. Using alcohol might result in permanent damage to water cooling KIT components, especially acrylic parts of the system.
4. It is best practice to do a proper 24-hour leak test before using your computer.
5. **If you spot any leaks, turn off the power immediately.**
6. Optimize tube length to prevent excessive bending and kinking of the tubing.
7. **Never let your pump run dry.** If this is happening for a prolonged period, you risk destroying the water pump's bearing, ultimately rendering the pump useless.
8. You are encouraged to periodically clean the radiator assembly as it will collect dust over time. It's best to be done with a soft wide-tip brush and a vacuum cleaner. See chapter **Cleaning Guide**.

LIQUID COOLING SYSTEM



GENERAL INFORMATION ON WATER BLOCK COMPATIBILITY



This CPU liquid cooling unit is pre-assembled for use with modern Intel-desktop-socket-type motherboards. By default (out of the box) this water block supports the following CPU sockets:

- Intel® Socket LGA-115x / LGA 1200
- Intel® Socket LGA-2066/LGA-2011(-3)
- AMD® Socket AM4*

***requires replacing the Intel® mounting plate with an AMD® one.**



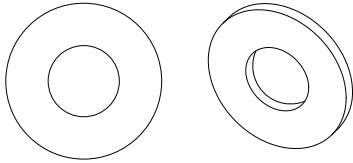
This product is also fully compatible with AMD® AMx/ FMx sockets but requires a user to replace the factory-installed Intel mounting plate with an AMD® one.

ENCLOSED IN THE PACKAGE

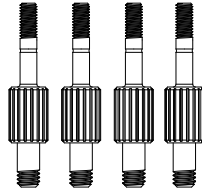
The following items are enclosed with the EK-Quantum Velocity water block:

- **EK-Quantum Velocity universal CPU water block**
- **PreciseMount universal CPU mounting mechanism:**
 - M3 threaded thumb screws (4 pcs)
 - LGA-2011 M3 threaded mounting studs (4 pcs)
 - Springs (4 pcs)
 - M3 threaded thumb nuts (4 pcs)
 - M4 PVC washers (5 pcs)
- **EK-Velocity backplate (Intel, AMD)**
- **Allen (hex) key 2.5mm**
- **Additional inserts and jet plates:**
 - Jet J2 (0.8mm thick)
- **Thermal Grizzly Hydronaut (EKWB 1.0g) thermal grease**

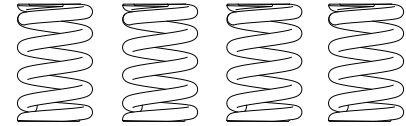
CPU MOUNTING MECHANISM



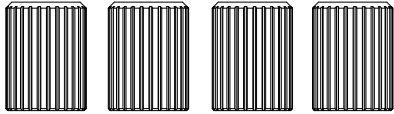
M4 PVC Washers (5 pcs)



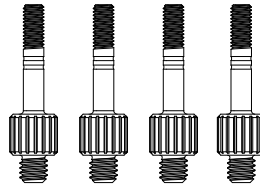
M3 threaded Thumbscrews (4 pcs)



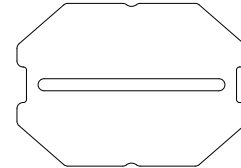
Springs (4 pcs)



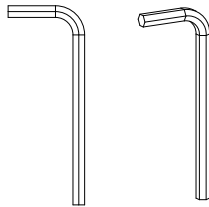
M3 threaded thumb nuts (4 pcs)



LGA-2011 M3 thr. Thumbscrews (4 pcs)

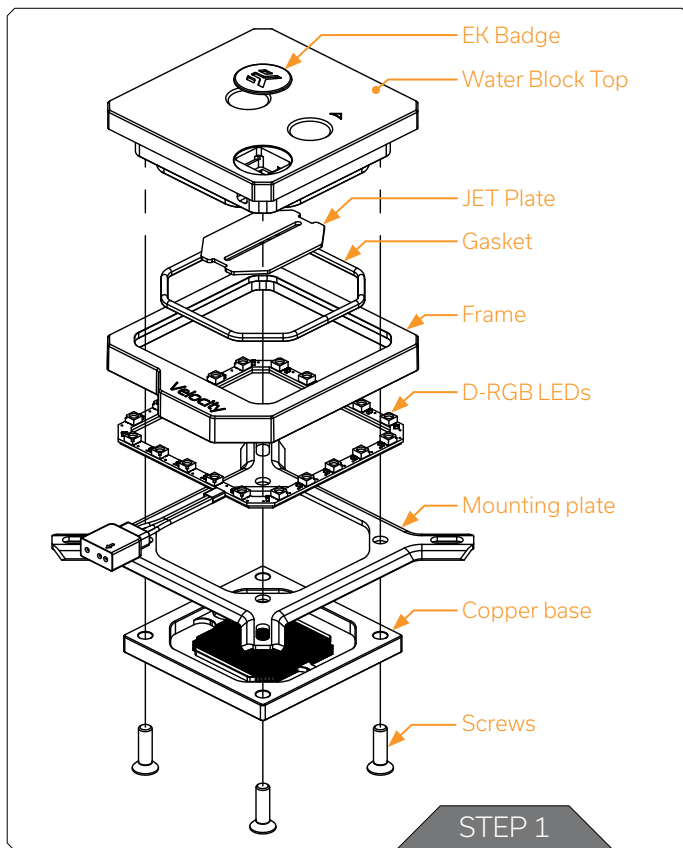


Additional Jet Plate (Thickness 0.80 mm)

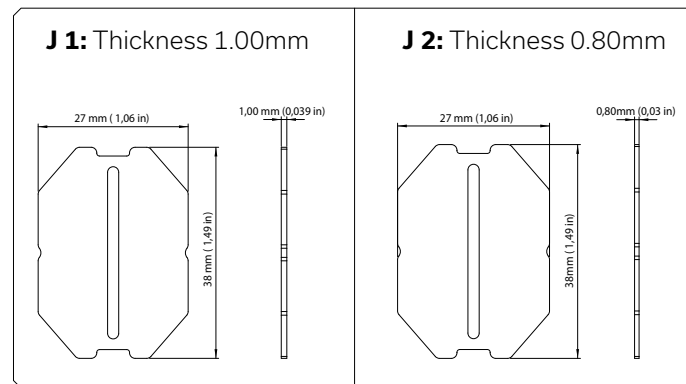


Allen Key 2.5 mm

REPLACING THE JET PLATE

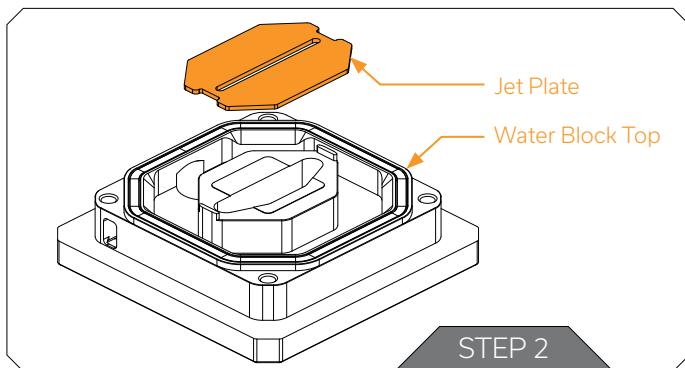


STEP 1



Please observe the table below to determine the optimal combination of the insert and jet plate for your type of socket.

Socket	Jet Plate
LGA-115x	J1
LGA-1200	J1
LGA-2011 / LGA-2066	J2
AM4	J1



STEP 2

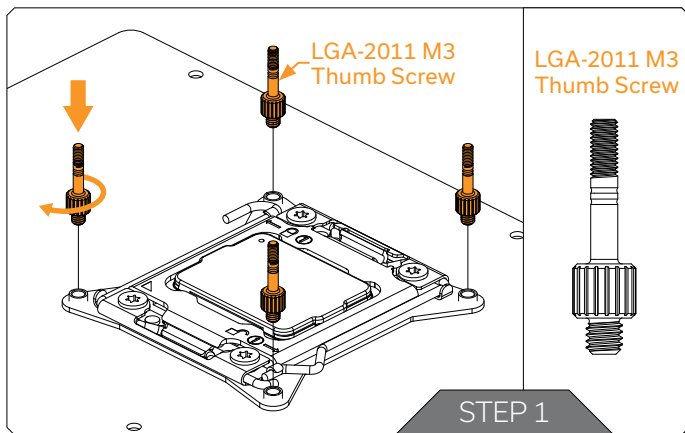
Unscrew the four M4 screws in a counter-clockwise direction from the bottom of the water block, using the enclosed 2.5mm Allen key to detach the copper base and access the jet plate. After replacing the jet plate, please reassemble the water block, as shown in the STEP 1 image. Pay special attention to the insert orientation relative to the copper base and water block top.



Before reassembly of the water block, the preformed gasket (o-ring) must be placed into the gap between the mounting plate and the water block top.

Gradually tighten the four screws and alternate between them until each is tightened down. Don't overdo with force applied.

INSTALLING THE WATER BLOCK



LGA-2011(-3)/2066* SOCKET MOTHERBOARDS

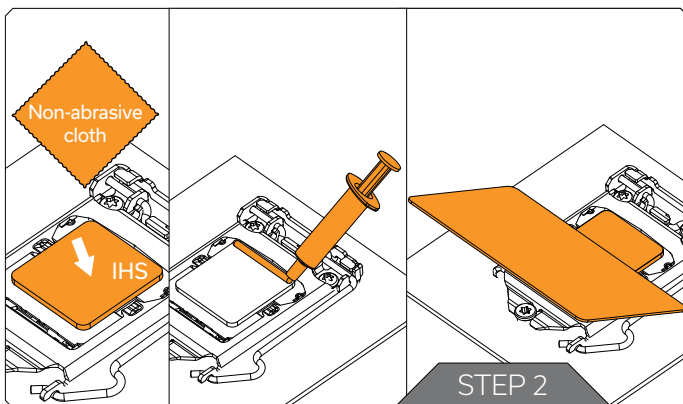
STEP 1

Prepare the foil bag with the mounting mechanism that is enclosed with the CPU water block.

Install four (4) specific LGA-20xx M3 thumb screws into four M3 threaded stubs on the LGA-20xx socket. The screws are to be installed using no tools (i.e., pliers).



It is recommended to remove the motherboard from the chassis before proceeding with the CPU water block installation due to space constraints in various PC cases!



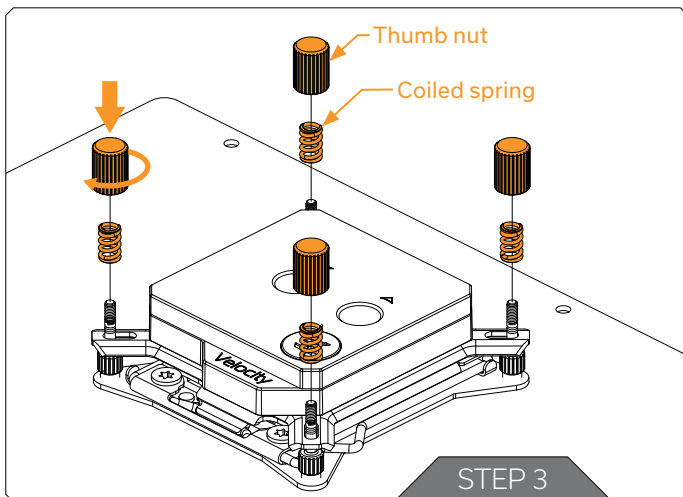
STEP 2

Cleaning the CPU: Wipe the CPU's contact surface with a nonabrasive cloth or Q-tip (as shown in the image).

Applying Thermal Compound: On the clean CPU IHS (Integrated Heat Spreader), apply a line of thermal compound and spread it evenly over the whole IHS with a plastic card or something similar (see sample image on the left).



The layer of the thermal compound must be thin and evenly spread across the whole surface of the IHS. Too thick of a layer could lead to poor performance. This method pertains to the Thermal Grizzly Hydronaut thermal compound (3830046998477).



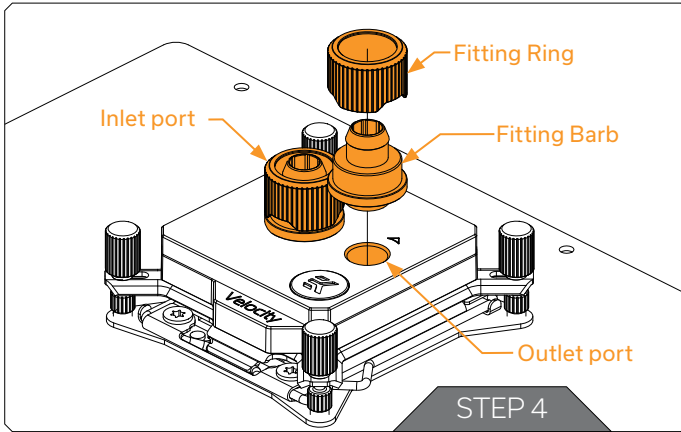
STEP 3

Align the water block over the mounting screws of the LGA-20xx motherboard with a pre-installed CPU.



Before proceeding with the installation, it is mandatory to **remove the protective foil** from the backside of the water block.

Place an enclosed compression spring and a thumb nut over each M3 thumb screw. Start fastening two thumb nuts at a time, preferably in a cross pattern, but don't tighten them fully until all four are partially screwed in. Then – using your fingers only – screw in all four thumb nuts until you reach the end of the thread.



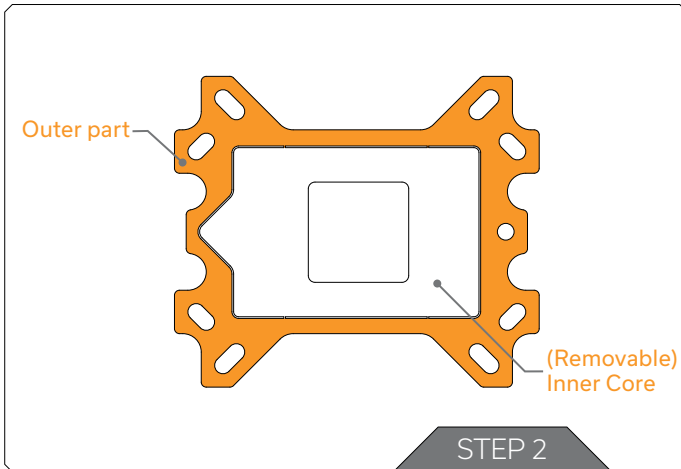
STEP 4

Tighten the fitting barbs in the clockwise direction until the gasket underneath is compressed.

The installation of the CPU water block is now complete.



With EK-Velocity series water blocks, it is mandatory to use the port closest to the center of the water block as the INLET port. Mixing these ports up may result in poor thermal performance of the water block.



LGA-115x SOCKET MOTHERBOARDS

STEP 1

If already installed, you can choose to remove the motherboard from your PC, then place it on an even surface with its front facing down.

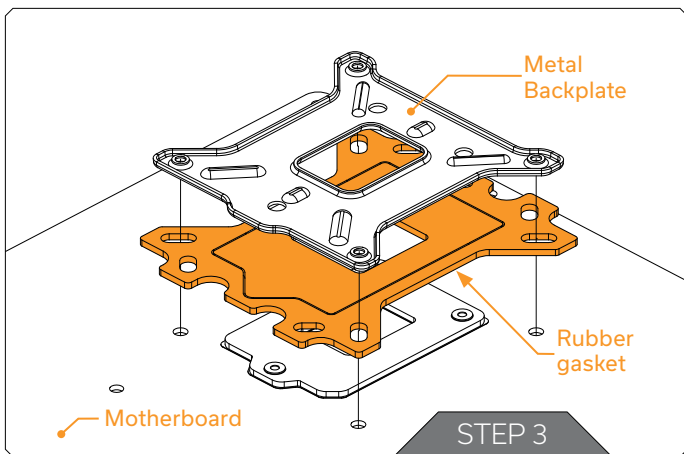
STEP 2

Preparing the Backplate Rubber Gasket:

The enclosed rubber gasket is an essential part of the backplate and mounting system - it must be used every time you install this water block on the motherboard.



The rubber gasket has a partially cut inner part, which needs to be removed before installation on the Intel® LGA-115x motherboard. The rubber is held in four places and can be peeled away by hand.



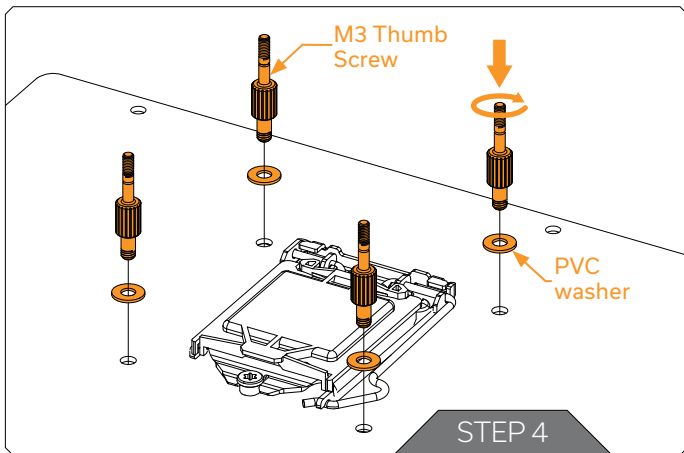
STEP 3

Position the rubber gasket and place the metal backplate for Intel® LGA115x socket to the back of your motherboard ribbed side up (facing away from the motherboard). Align the holes on the motherboard with holes on the rubber gasket and backplate.



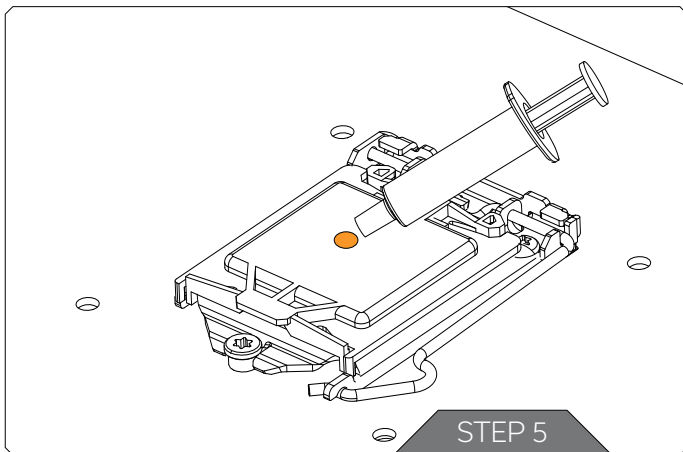
Make sure to orientate the rubber gasket to fit past the CPU socket ILM backplate. On certain ITX form factor motherboards, the rubber gasket may need to be trimmed with household scissors.

Using one hand, carefully rotate the motherboard assembly with the front side facing up while holding the backplate and rubber gasket in place with the other hand.



STEP 4

Install four (4) M3 thumb screws into your motherboard. It is mandatory to put a 0.8mm plastic washer underneath each M3 thumb screw. Tighten the screws to the metal backplate until you reach the end of the thread. Using tools (i.e., pliers) is not recommended.



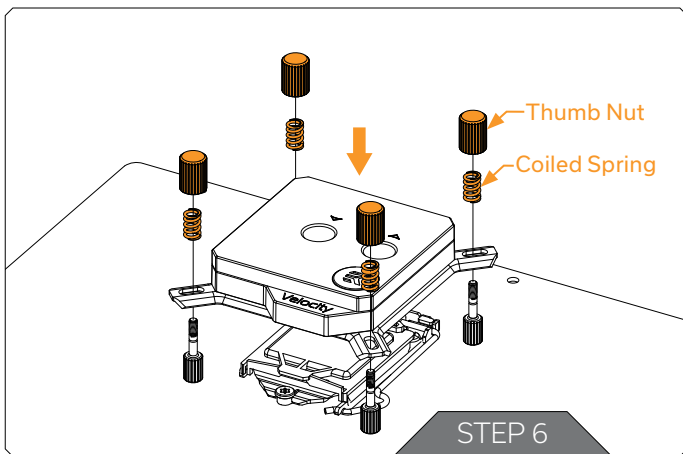
STEP 5

Cleaning the CPU: Wipe the CPU's contact surface with a nonabrasive cloth or Q-tip.

Applying thermal compound: On the clean CPU IHS (Integrated Heat Spreader), apply a blob or line of enclosed thermal compound (see sample image).



EK recommends the quantity of about two rice grains of thermal compound. There is no need to cover the whole IHS. Applying too much thermal grease will disrupt cooling performance!



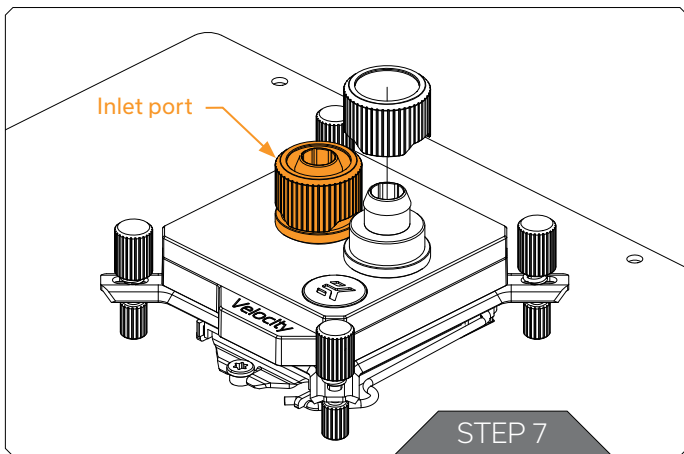
STEP 6

Align the water block over the mounting screws on the LGA-115x motherboard with a pre-installed CPU.



Before proceeding with the installation, it is mandatory to remove the protective foil from the backside of the water block.

Place an enclosed coiled spring and a thumb nut over each M4 thumb screw. Start fastening two thumb nuts at a time, preferably in a cross pattern, but don't tighten them fully until all four are partially screwed in. Then - using your fingers only - screw in all four thumb nuts until you reach the end of the thread.

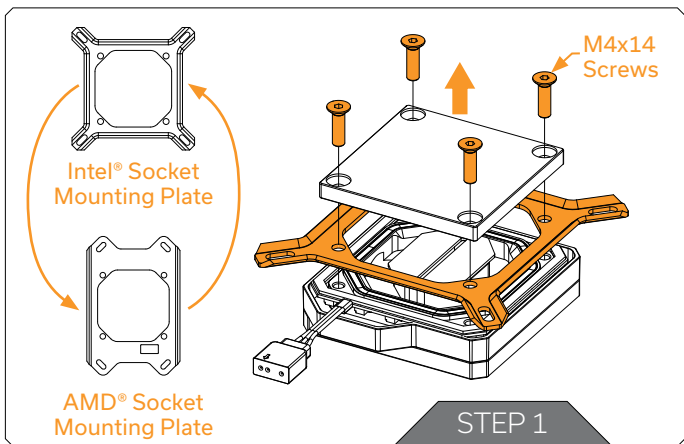


STEP 7



With EK-Velocity series water blocks, it is mandatory to use the port closest to the center of the water block as the INLET port. Mixing these ports up may result in poor thermal performance of the water block.

Tighten the fitting barbs in the clockwise direction until the gasket underneath is compressed.

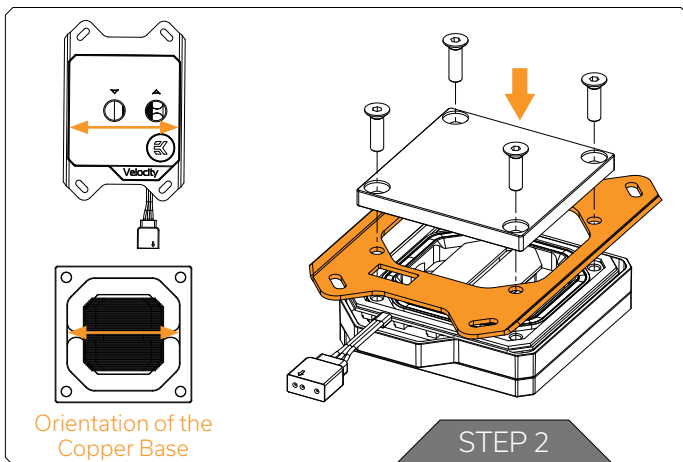


AMD® SOCKET MOTHERBOARDS

STEP 1

Replacing the Mounting Plate:

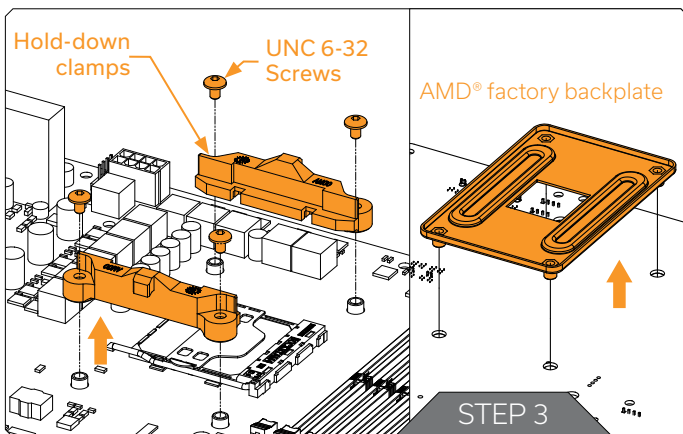
Place the water block on an even surface and, using the 2.5mm Allen key in the counter-clockwise direction, remove four M4x14 DIN 7991 screws attaching the copper base to the top.



STEP 2

Replace the Intel® factory-installed mounting plate with the AMD® one. You will feel the mounting plate locking into position when placed correctly onto the top.

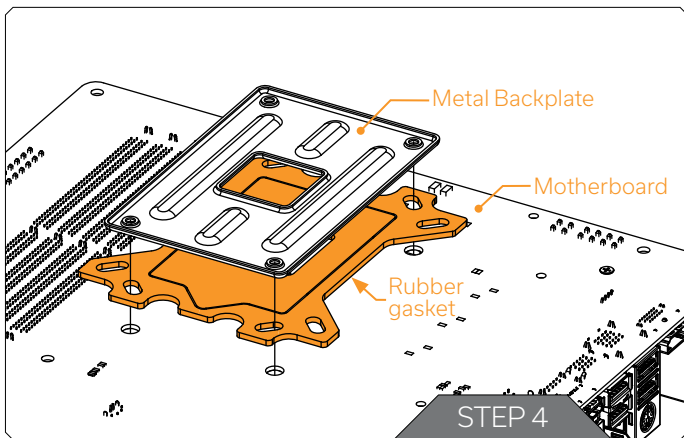
Reseat the O-ring gasket into the gap between the mounting plate and water block top.



STEP 3

Removing the Original Plastic Hold-Down Clamps and Factory Backplate: Using a Phillips head screwdriver, remove four UNC 6-32 screws securing the original plastic hold-down clamps around the socket, as shown in the image.

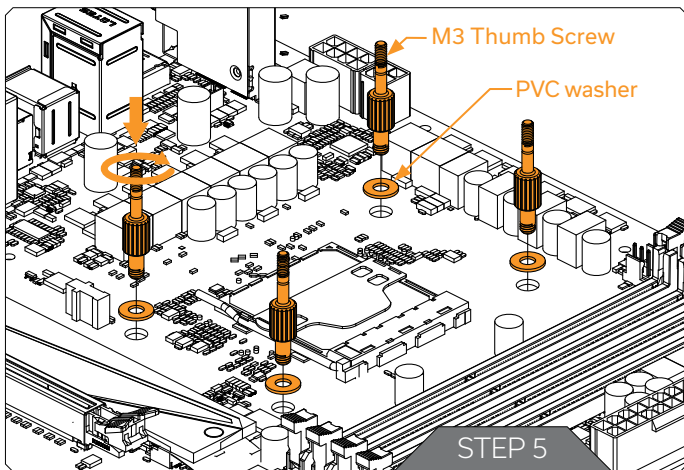
Remove the original AMD® backplate along with the hold-down clamps, and store them away. For further identification of the parts, see the image on the left.



STEP 4

Position the rubber gasket and place the metal backplate for AMD® socket to the back of your motherboard **ribbed side up** (facing away from the motherboard). Align the holes on the motherboard with holes on the rubber gasket and backplate.

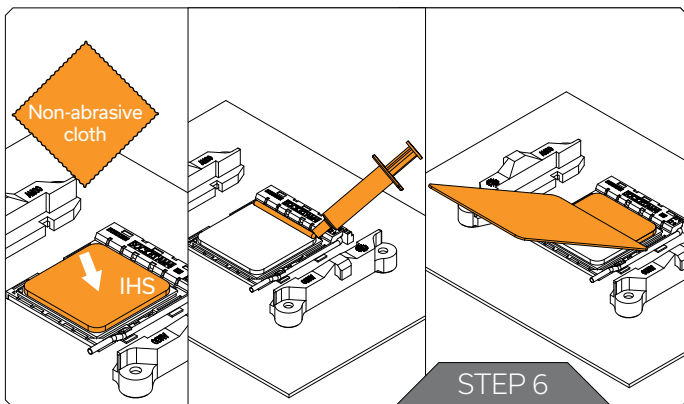
Using one hand, carefully rotate the motherboard assembly with the front side facing up while holding the backplate and rubber gasket in place with the other hand.



STEP 5

Prepare the foil bag with the mounting mechanism that is enclosed with the CPU water block.

Install four (4) M3 thumb screws into your motherboard. It is mandatory to put 0.7mm plastic washers underneath each of the M3 thumb screws. Tighten the screws until you reach the end of the thread. Using tools (i.e., pliers) is not recommended.



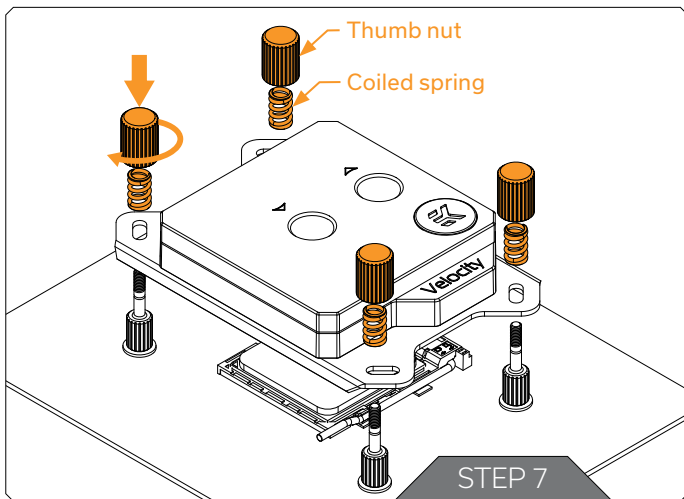
STEP 6

Cleaning the CPU: Wipe the CPU's contact surface with a nonabrasive cloth or Q-tip (as shown in the image).

Applying Thermal Compound: On the clean CPU IHS (Integrated Heat Spreader), apply a line of thermal compound and spread it evenly over the whole IHS with a plastic card or something similar (see sample image on the left).



The layer of the thermal compound must be thin and evenly spread across the whole surface of the IHS. Too thick of a layer could lead to poor performance. This method pertains to the Thermal Grizzly Hydronaut thermal compound (3830046998477).



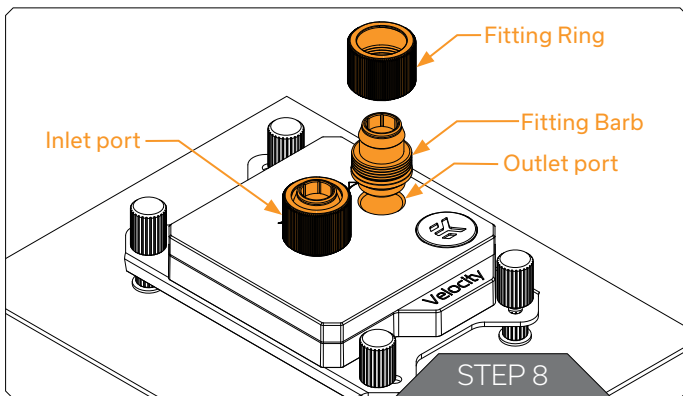
STEP 7

Align the water block over the mounting screws of the motherboard with a pre-installed CPU.



Before proceeding with the installation, it is mandatory to remove the protective foil from the backside of the water block.

Place an enclosed compression spring and a thumb nut over each M3 thumb screw. Start fastening two thumb nuts at a time, preferably in a cross pattern, but don't tighten them fully until all four are partially screwed in. Then – using your fingers only – screw in all four thumb nuts until you reach the end of the thread.



STEP 8

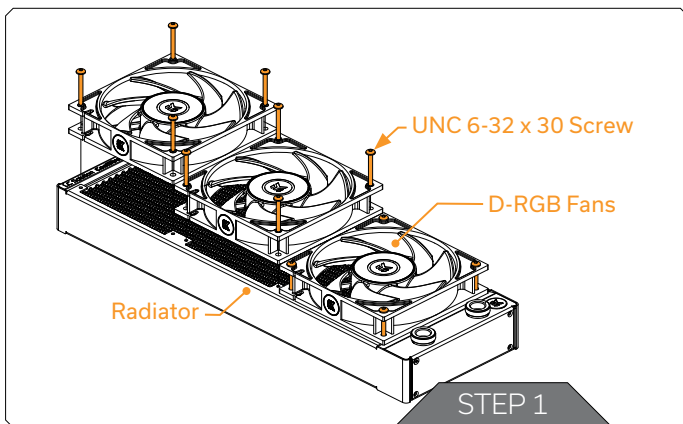
Tighten the fitting bars in the clockwise direction until the gasket underneath is compressed.

The installation of the CPU water block is now complete.



With EK-Velocity series water blocks, it is mandatory to use the port closest to the center of the water block as the INLET port. Mixing these ports up may result in poor thermal performance of the water block.

INSTALLING THE RADIATOR AND FANS



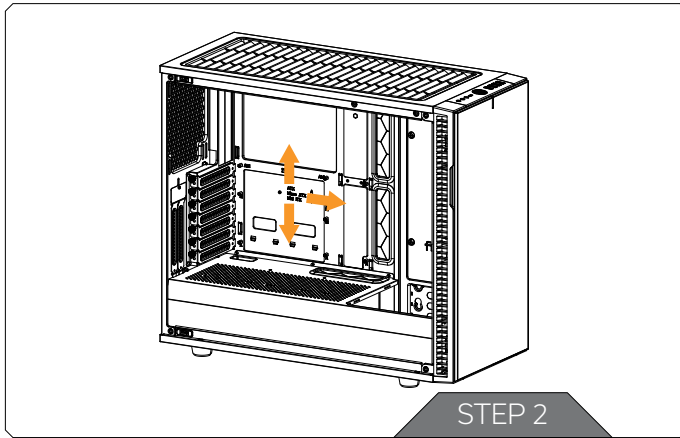
Before positioning the fans on the radiator, decide if you want them to serve as the hot air exhaust (**Method 1** - when fans are placed on the exhaust) or to receive the coldest air possible (**Method 2** - when they're placed on the air inlet).

The first method results in an overall decrease in temperature throughout the entire computer chassis but also leads to slightly higher liquid temperatures. A reversed airflow is a viable option, but you should always strive to achieve the unidirectional airflow throughout the chassis.

METHOD 1

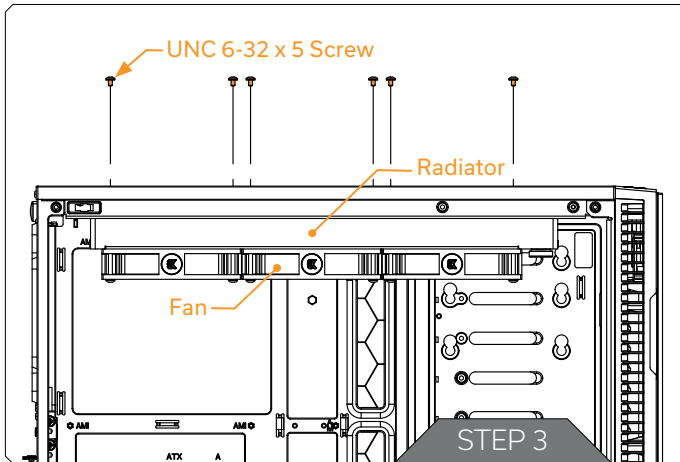
STEP 1

Take four (4) UNC 6-32 x 30mm screws for each fan and screw them in. Use the enclosed Allen key to tighten the screws in the clockwise direction.



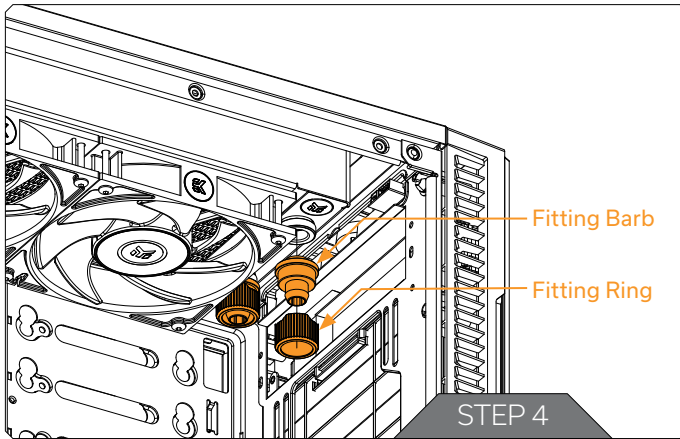
STEP 2

Prepare your suitably-sized PC chassis for the installation of the radiator unit. The position of the unit in the chassis depends on its size, fan mounting holes, and hardware that is installed. You must make sure the unit fits into the case. Usually, cases already have standard pre-drilled fan-mounting holes, and you should look for those with a spacing of 105mm (for standard 120mm computer cooling fans) or 125mm (for 140mm cooling fans).



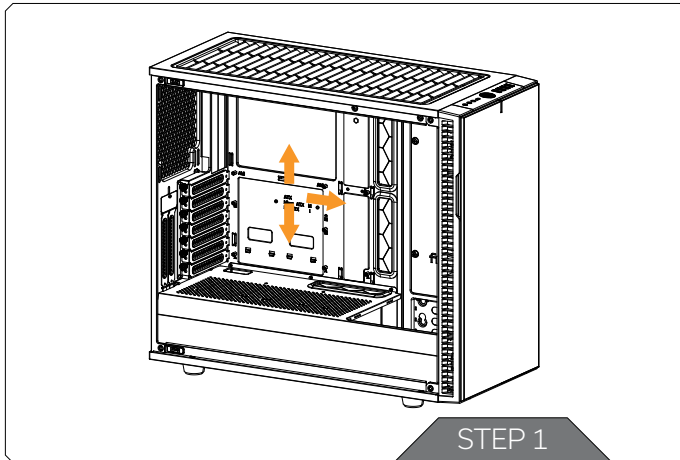
STEP 3

Align the holes of the radiator with the ones in the PC chassis. Take four (4) UNC 6-32 x 5mm screws for each fan and guide them through the holes in the chassis, then screw them into the threaded holes of the radiator. Tighten them in a clockwise direction using the enclosed Allen key.



STEP 4

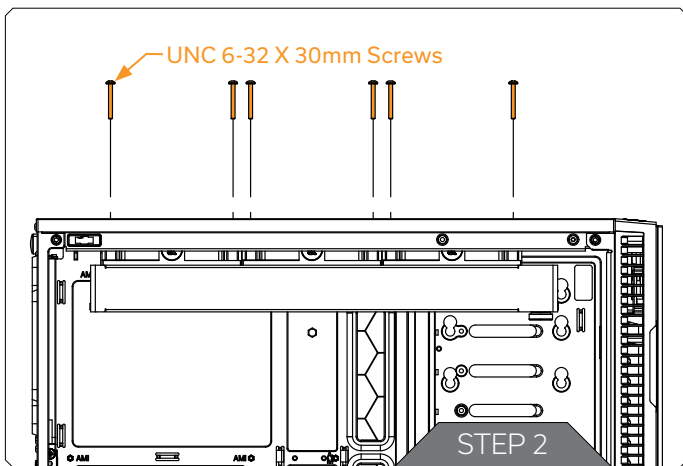
Install the compression fitting on both G1/4 extender openings of the radiator. Tighten the fitting barbs in the clockwise direction. The installation of the radiator and fans is now complete.



METHOD 2

STEP 1

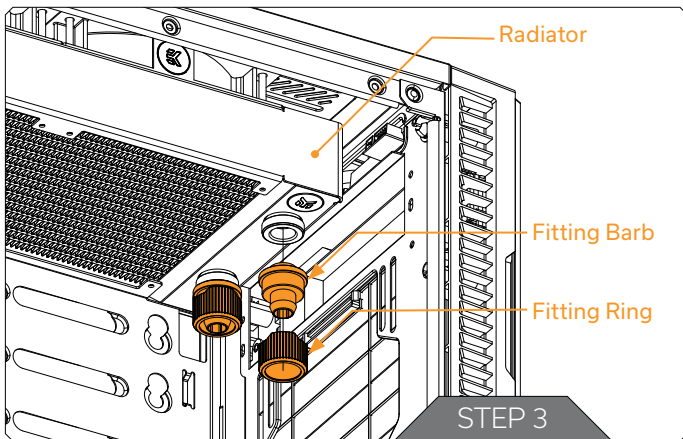
Prepare your suitably-sized PC chassis for the installation of the radiator unit. The position of the unit in the chassis depends on its size, fan mounting holes, and hardware that is installed. You must make sure the unit fits into the case. Usually, cases already have standard pre-drilled fan-mounting holes, and you should look for those with a spacing of 105mm (for standard 120mm computer cooling fans) or 125mm (for 140mm cooling fans).



STEP 2

Align the holes of the radiator and fans with the ones in the PC chassis.

Take four (4) UNC 6-32 x 30mm screws for each fan and guide them through the holes of the chassis and fans, then screw them into the threaded holes of the radiator. Tighten them in a clockwise direction using the enclosed Allen key.



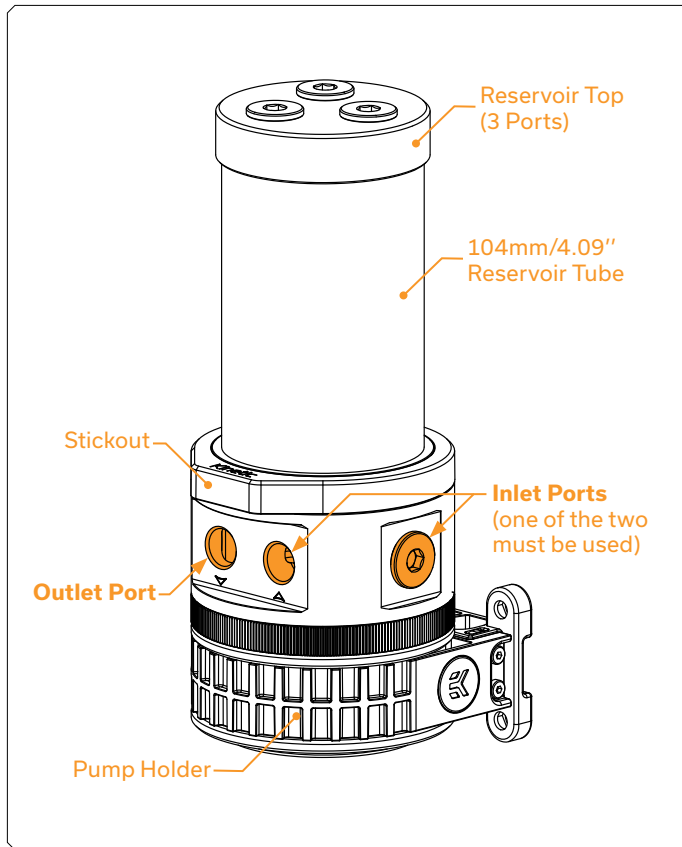
STEP 3

Install compression fittings on both G1/4 openings of the radiator. Tighten the fitting barbs in the clockwise direction until the gasket underneath is compressed.

The installation of the radiator and its cooling fans is now complete.

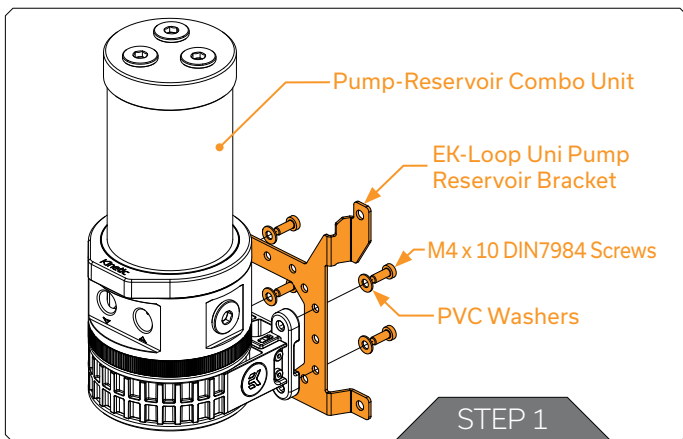
OPTIONAL: EK-Quantum Power Kit also comes with two pieces of EK-Torque 90° Angled Fittings, which can be installed on the Pump-Reservoir Combo unit, CPU unit, or Radiator.

INSTALLING THE PUMP-RESERVOIR COMBO UNIT



MOUNTING MECHANISM

<p>Tube HD 12/16 (41,00 mm) (1 pc)</p>	<p>EK-PLUG G1/4 Acetal (1 pc)</p>	<p>OR 16,1 x 1,6 (1 pc)</p>
<p>Allen Key 2 mm (1 pc)</p>	<p>Allen Key 2.5 mm (1 pc)</p>	<p>M4 PVC Washer (5 pcs)</p>
<p>Protective Sticker (1 pc)</p>	<p>M3 x 12 mm DIN7984 (2 pc)</p>	<p>M4 x 10 DIN7984 (2 pcs)</p>
<p>Inlet Tube + O-Ring Gasket (1 pc)</p>		



STEP 1

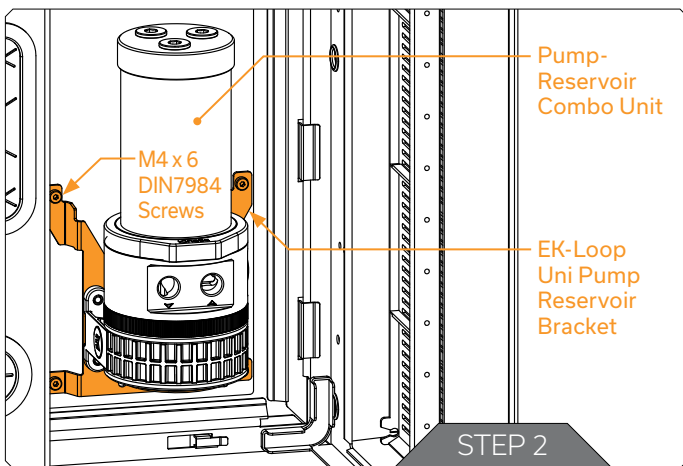
The EK-Quantum Power Kit comes with a combined pump and reservoir unit with a pre-installed antivibration holder.

Take the unit and place it on the EK-Loop Uni Pump Reservoir Bracket, as shown in the picture.

You can turn the pump in any direction, but do not turn it upside-down.

Secure the pump from the backside using four (4) M4 x 10 screws and PVC washers. Tighten them in a clockwise direction using the enclosed 2.5mm Allen key.

This unit can be installed without the use of a pump bracket if there is a 62 x 34mm rectangular mounting hole pattern in the chassis.

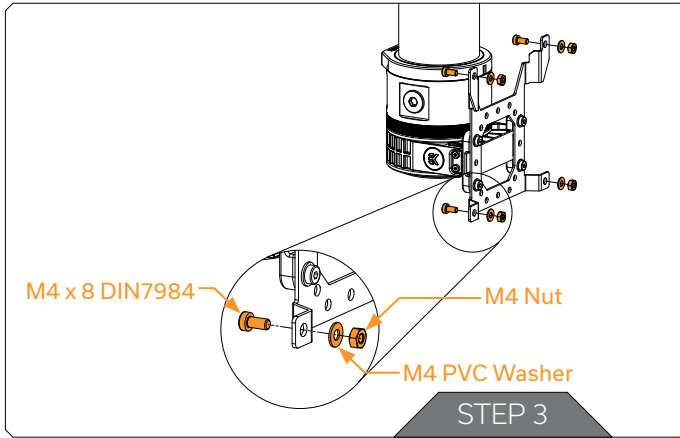


STEP 2

The position of the unit will depend on the fan mounting holes and hardware that is installed in the chassis. Usually, cases already have standard pre-drilled fan-mounting holes, and you should look for those with a spacing of 105mm.

Alternatively, you can drill four Ø4.5mm holes using an electric power drill in the most suitable place of your computer chassis.

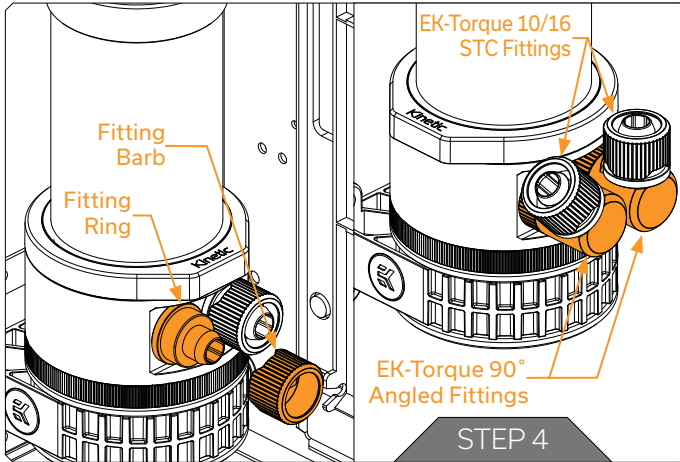
Place four M4 x 6 DIN7984 screws into the holes of the EK-Loop Uni Pump Reservoir Bracket from its front side.



STEP 3

Secure the M4 x 6 screws from the previous Step with four (4) M4 nuts and PVC washers. Tighten them with a 2.5mm Allen key.

The pump-reservoir unit has clearly marked inlet (^) and outlet (v) G1/4 ports. Not taking that into account will lead to reverse flow.



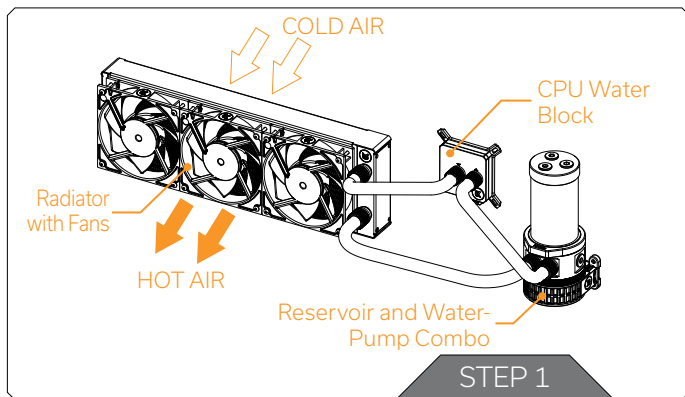
STEP 4

Tighten the fitting barbs in the clockwise direction until the gasket underneath is compressed.

The installation of the pump-reservoir unit is now complete.

OPTIONAL: EK-Quantum Power Kit also comes with two pieces of EK-Torque 90° Angled Fittings, which can be installed on the Pump-Reservoir Combo unit, CPU unit, or Radiator.

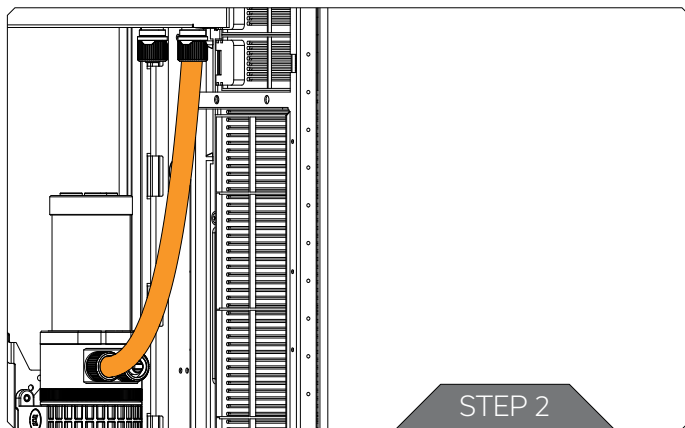
CONNECTING THE TUBING



If you are adding another unit to your water cooling loop, please check the chapter System Expansion Possibilities.

STEP 1

In order to successfully route your tubing, we recommend you check the liquid cooling scheme.

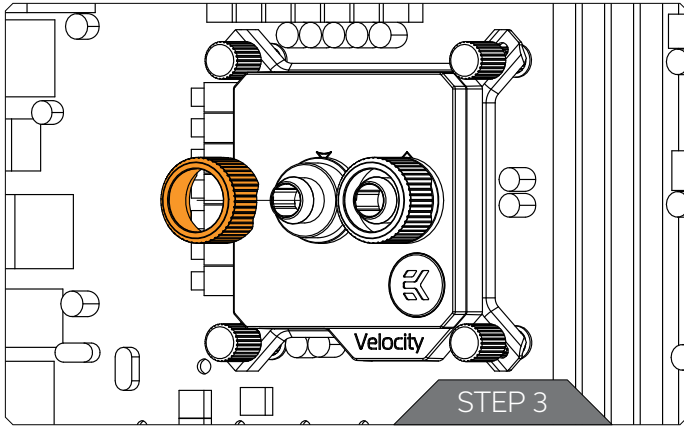


STEP 2

Try to visualize the tube route and then measure its distance by trying to fit it into the chassis. Mark the required length with a felt-tip pen.

Before you make the first cut, keep in mind that it's best to have 2-3cm in tube length to spare. You can always shorten the tube afterward.

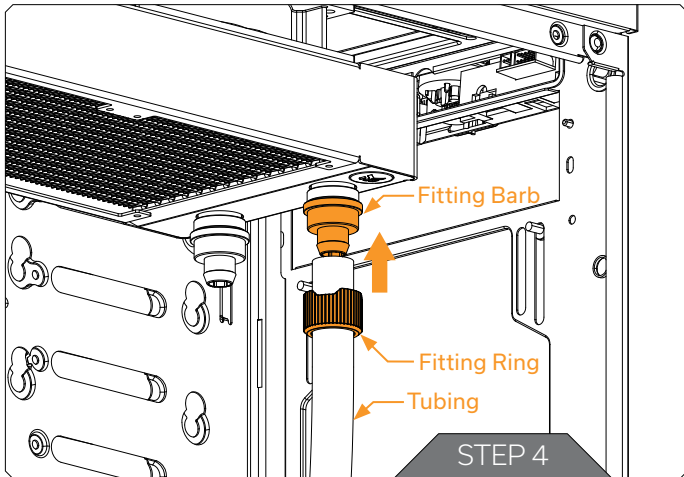
For the coolant to flow without restriction, make sure the tube is not bent or twisted.



STEP 3

If you assembled the components according to this installation manual, all the compression fittings should have already been installed.

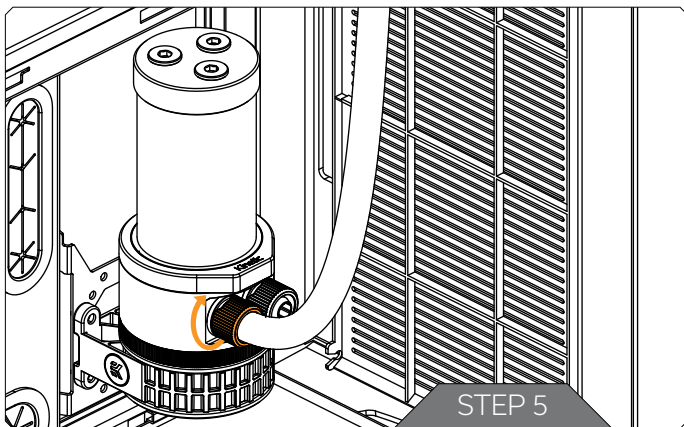
To fit the tubing onto the compression fittings, you will have to remove fitting rings by rotating them in a counter-clockwise direction.



STEP 4

Slide the fitting ring along the tube with the threaded side facing the fitting barb.

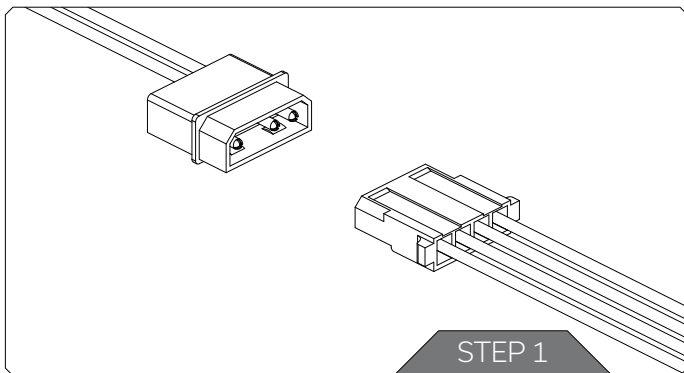
Install the tube on the fitting barb. You can do that by forcing it to slide over the edge as far as it goes. If needed, heat the tube in warm water.



STEP 5

Slide the fitting ring toward the fitting barb and tighten it in a clockwise direction as far as it goes. Repeat the procedure on all fittings to connect your liquid cooling loop.

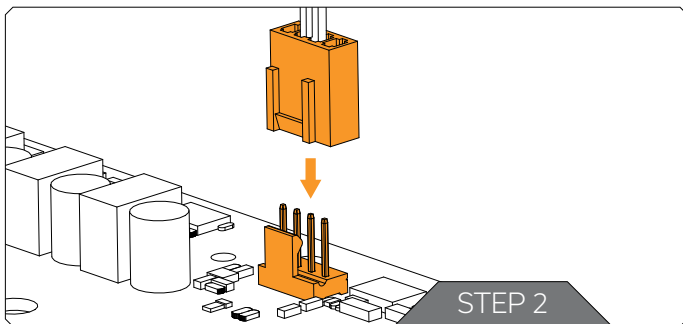
ELECTRICAL INSTALLATIONS



CONNECTING THE PUMP-RESERVOIR UNIT

STEP 1

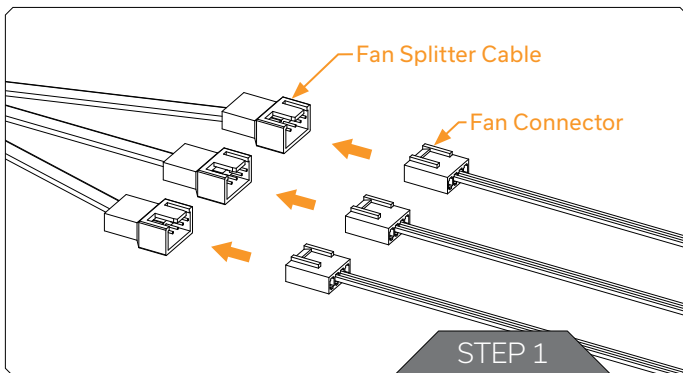
Connect the 4-pin male Molex connector to the 4-pin female Molex connector of the power supply.



STEP 2

Take the 4-pin PWM female connector and plug it to the male PWM header located on the motherboard.

If possible, always use the CPU-dedicated fan headers. On the majority of motherboards, these headers usually offer the best PWM regulation.

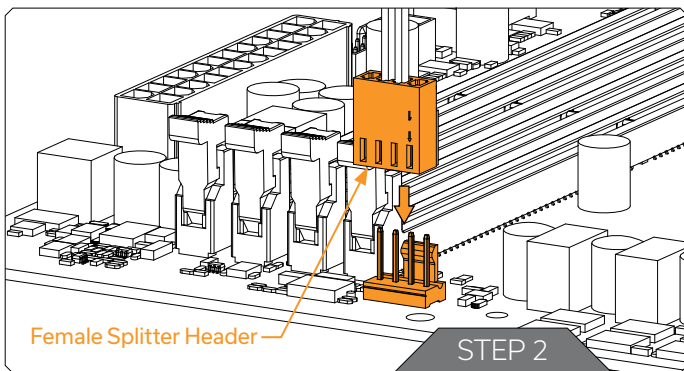


CONNECTING THE FANS

STEP 1

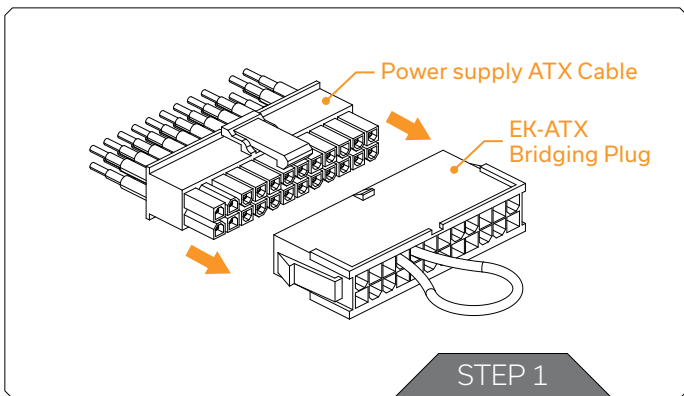
To connect the fans, you might need an EK-Cable Y splitter. Connect the female connectors from the fans with male connectors on the fan splitter cable.

The EK-Cable Y splitter comes enclosed with the Kit.



STEP 2

Connect the female splitter connector to a header located on the motherboard or fan controller. If possible, use a header designated for the CPU.



RECOMMENDED FILLING AND LEAK TESTING PROCEDURE

STEP 1

It is mandatory to do the following:

1. Disconnect all PSU power connectors on your PC (4/8-pin EPS, 24-pin ATX, PCIe express power, SATA power),
2. Plug the EK-ATX Bridging Plug (enclosed) into the 24-pin ATX PSU cable, which allows jump-starting your computer.

This procedure requires only the pump to be connected to the power supply (PSU). Everything else needs to be disconnected!



This Step must be done to prepare the power supply for the pump, so you can fill the water cooling loop with coolant and run the leak test.

Your system is now ready to be charged for the first time.

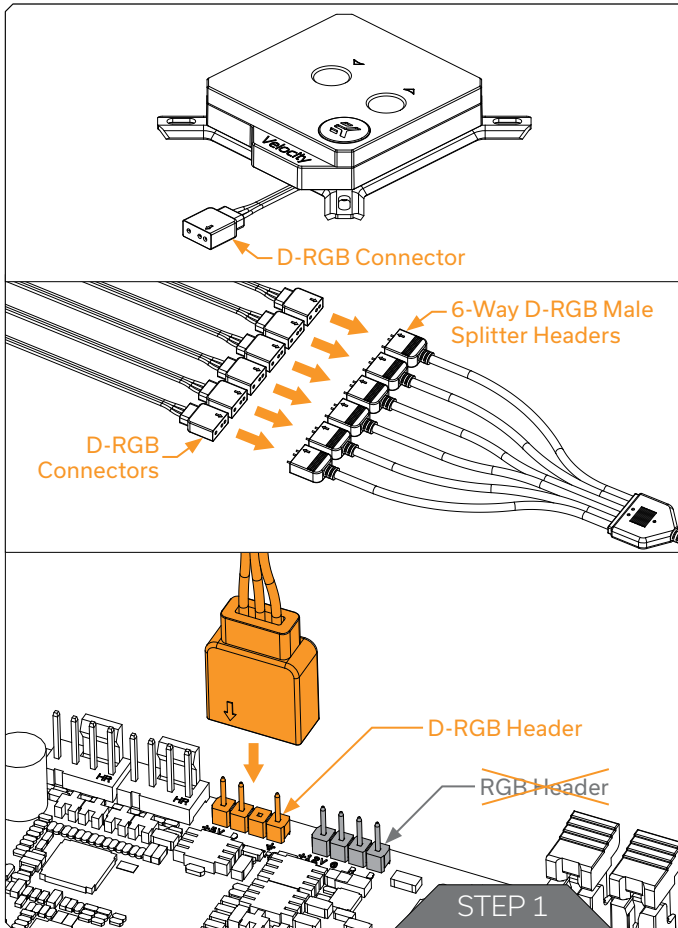
CONNECTING THE FANS, PUMP AND CPU D-RGB LIGHTS

STEP 1

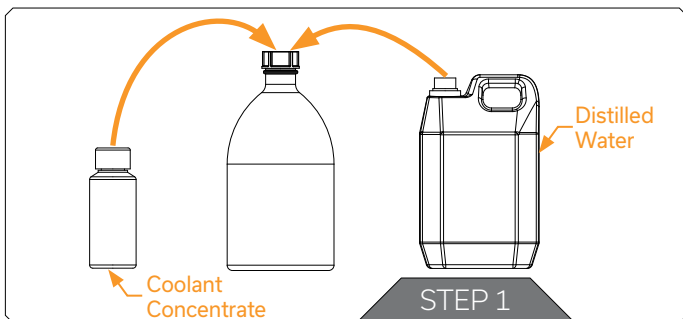
Connect the 3-pin D-RGB LED connector from the pump-reservoir unit, water block, and fans to the D-RGB header on the motherboard. The lights will work if the pin layout on the header is as follows: **+5V, Data, Empty, Ground.**

Please ensure that the arrow indicated on the connector is plugged into the +5V line, as indicated on your motherboard. If you connect LEDs to the 12V RGB header, it will damage them.

You may use the enclosed 6-way D-RGB splitter cable to connect all the D-RGB cables into one header on your motherboard.



FILLING THE SYSTEM FOR THE FIRST TIME



STEP 1

Preparing the Cooling Liquid.

The coolant comes in the concentrated form. To prepare the cooling liquid, you must take 100mL of clear coolant concentrate (comes enclosed with the Kit) and mix it with 900mL of distilled water.

Make sure you mix it properly before pouring it into your water cooling loop.



Store the remaining liquid in the original bottle. Do not use any food or beverage containers!

STEP 2

Remove the top cover of your reservoir by unscrewing it in a counter-clockwise direction.



It is recommended to protect the exposed hardware with a few paper towels in case there is a leak, or you accidentally spill the coolant while pouring it.

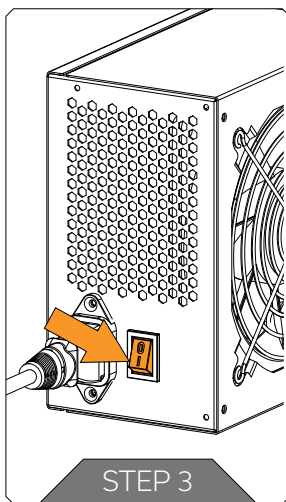
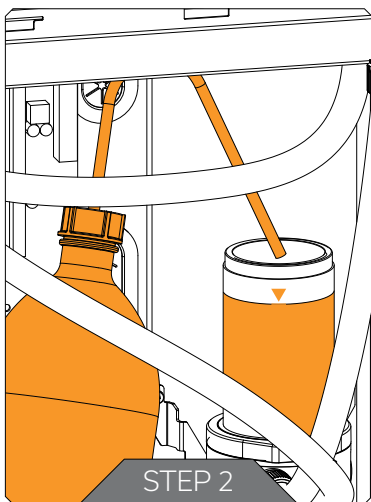
Take the pre-mixed coolant and pour it into the reservoir until the coolant level is about 2cm below the top.

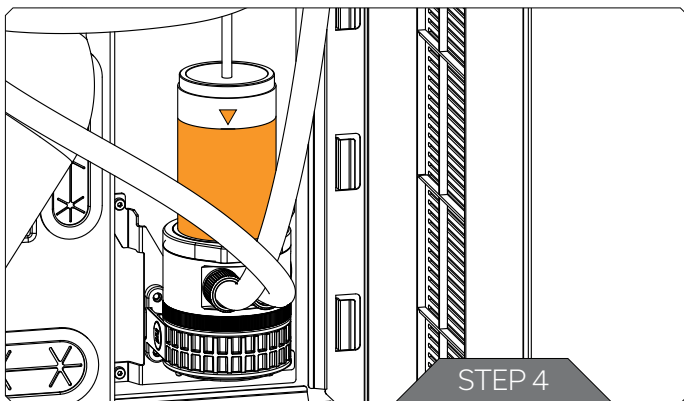
STEP 3



Please check if you have plugged in the EK-ATX Bridging Plug and EK-Cable Pump Testing Adapter correctly. Refer to the chapter: **Recommended Filling and Leak-Testing Procedure.**

Turn the power supply on for a brief moment to check if only the pump is running.





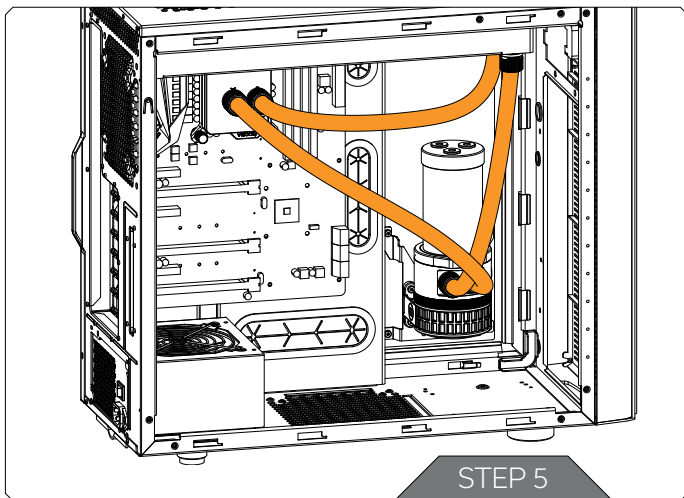
STEP 4

When you turn on the power supply, the coolant should be pushed from the reservoir toward other water cooling components. Therefore, you have to fill the coolant continuously while the pump is running.



Alternatively, you can cycle the power supply by turning it ON and OFF every few seconds to speed up the air bleeding process.

When the coolant level becomes steady, fill the reservoir until the coolant level is about 2cm below the edge. Screw the reservoir top cover back in a clockwise direction.



STEP 5

Tilt your PC chassis in different directions to remove any air that might have remained trapped inside the radiator. You may need to add more coolant afterward.

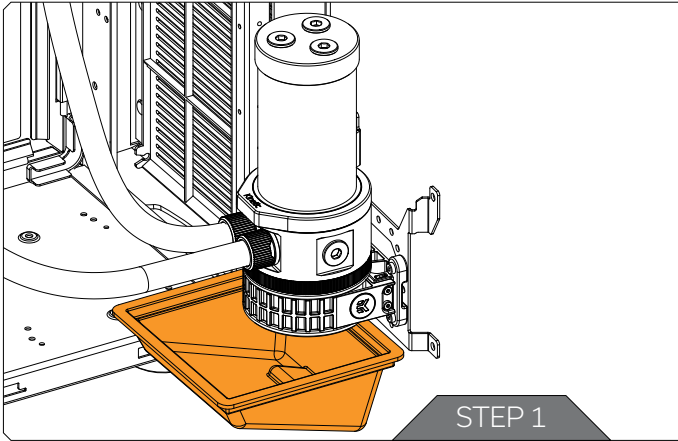
STEP 6 24 HOUR LEAK TEST



It is best practice to run your pump for at least 24 hours to ensure your system is leak-free. Once the 24-hour leak test is completed without signs of leaking fluid, you are free to finish your build.

You will not need the ATX Bridging Plug cable anymore. Connect all the necessary cables to the motherboard, graphics card, and expansion drives.

DRAINING THE LOOP



STEP 1



Before disassembling the water cooling loop, it is mandatory to turn off your computer and pull the power cord from the socket. Prepare some paper towels and stack them over the hardware.

Unscrew the four (4) M4 nuts securing the EK-Loop Uni Pump Reservoir Bracket to the PC chassis. Slowly pull the pump-reservoir unit along with the bracket outside of the case. Do not pull the tubing off the fittings at this stage.

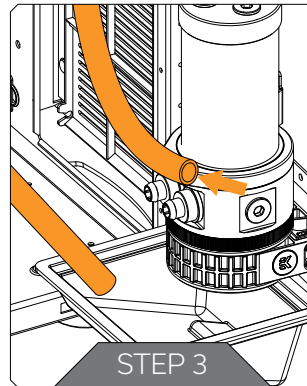
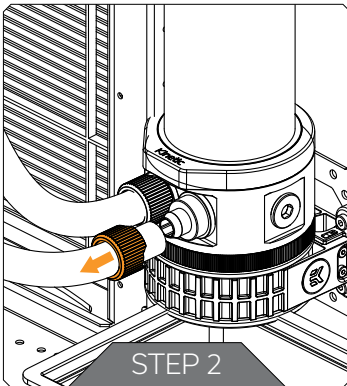
Take a container and put it under the pump-reservoir unit.

STEP 2

Unscrew the fitting ring from the outlet port of the pump-reservoir unit. Rotate the ring in the counter-clockwise direction.

Gently pull the tube off the fitting and direct it into the container.

Let the coolant flow out into the container.



STEP 3

Disconnect the other tube - the one connected to the pump-reservoir unit's inlet port.

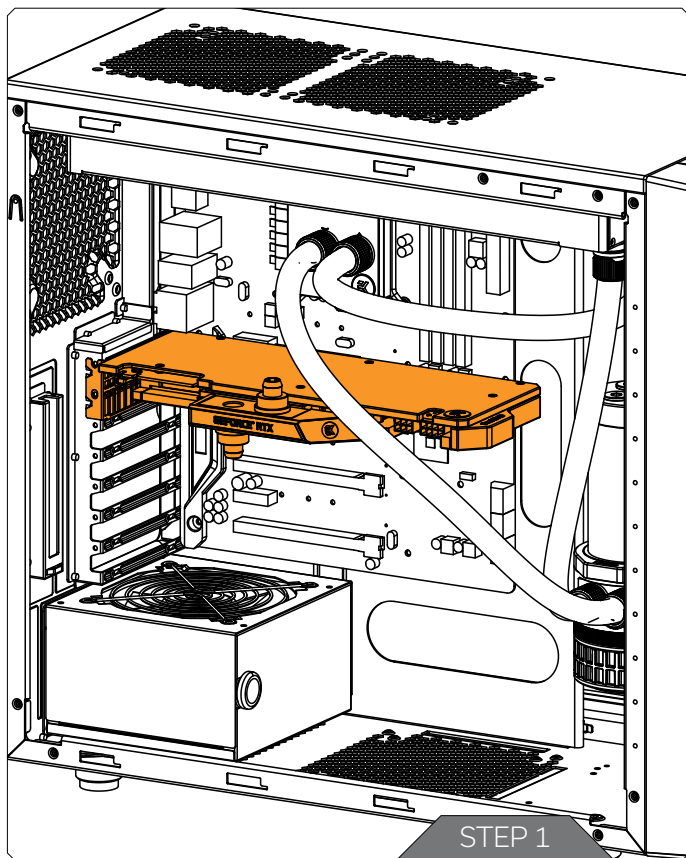
Keep one tube directed to the container and blow into the other one to drain the system additionally.

Thoroughly drain the pump-reservoir unit. You can tilt it in multiple directions or even remove the top cap and pour the coolant out of the reservoir.



Keep the disconnected tube ends over the paper towel to prevent the coolant spillage. You should dry the tubes and the pump-reservoir to keep the hardware safe.

SYSTEM EXPANSION POSSIBILITIES



The best part of having a custom water cooling loop is that the system can be expanded, and its cooling capacity extended almost without limitations.



For maximum performance, the rule of thumb is to use at least one 120mm radiator (section) per each water-cooled component plus one additional radiator.

For example, if you are liquid cooling a CPU and a single high-performance graphics card, it is recommended you use at least one 240mm (or 2 x 120mm) radiator for adequate performance. But ideally, you should get at least a 360mm (or 3 x 120mm) radiator for the best possible performance. Motherboard and memory water blocks usually have lower power output; therefore, those are not included in this equation.

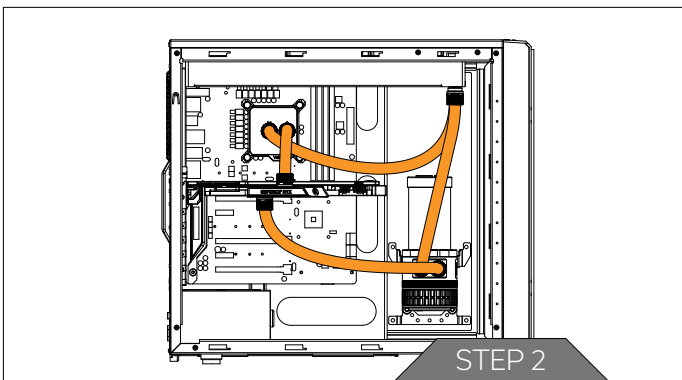
In this manual, we will explain how to expand the loop with an additional GPU full-cover water block. You can also expand the loop with an extra radiator, reservoir, motherboard monoblock, etc.

STEP 1



If already filled, drain your water cooling loop according to the instructions in the chapter **Draining the Loop**.

Carefully determine the optimal tube routing and install compatible fittings (10/16mm), and optionally the plugs.



STEP 2

Measure the length of the tube that will connect the CPU to the GPU water block, and the GPU water block to the pump-reservoir unit. You can use the EK-Loop Soft Tube Cutter or a pair of scissors to cut the tube.



You may also need additional tubing to connect the water block.

Attach the tube to both fitting barbs until it sits firmly. Secure the fitting compression ring to make the assembly is complete. Check again that all tubing is secured with compression fittings as intended. If it is not, please see chapter: **Connecting the Tubing**.



Fill the system by following the Steps from the chapter: **Filling the System for the First Time**.

MAINTENANCE TIPS

In order to obtain the best performance across the entire lifespan of the product, it is crucial to follow these maintenance tips.

1. DUST REMOVAL

It is mandatory to clean the dust **every 2-3 months**. EK recommends using a vacuum cleaner or compressed air to blow the dust away. The radiator is usually the dustiest, so pay special attention to it. Do not forget to turn off the computer and unplug the power supply. It is recommended to clean the dust outside.

2. CHECKING THE ELECTRICAL COMPONENTS

Once a year, you should check if the pump and fans are running as they should. The pump and fans must run silently without any

rattling noises and must react to PWM duty cycle changes. All imperfections may lead to overheating and, ultimately, breakdown.

3. CLEANING THE UNIT

Every year the unit should be thoroughly cleaned. You must let all the coolant out (see chapter: **Draining the Loop**). The radiator must be flushed, the pump checked and cleaned. It is also recommended to change the tubing.

4. USING PARTS DESIGNED AND MANUFACTURED BY EK

It is recommended to use only genuine EK Water Blocks liquid cooling gear and add-ons to prevent any performance, compatibility, or warranty issues.

TROUBLESHOOTING

Exceedingly high CPU temperatures are usually the symptom of a malfunctioning liquid cooling loop, assuming the contact between the CPU heat spreader and water block itself is adequate, and that the water is appropriately cooled within the radiator.

High CPU temperatures can occur in the following scenarios.

Malfunctioning or broken-down water pump: The symptoms usually include a rapid spike in temperature when stressing your CPU to the maximum. Make sure the pump is plugged into the power connector, and that liquid is indeed flowing through the system. You should feel the pump vibrating beneath your hand. Observe the flow indicator or flow meter readings if present.

Malfunctioning or broken-down cooling fans: The symptoms usually include a rapid spike in temperature when stressing your CPU to the maximum. Make sure the cooling fans are plugged into the power connector hub and that the blades are indeed rotating.

Kink in the liquid cooling tube: The symptoms are very similar to those described above. Thin-walled tubing may collapse easily under low radius turns or when obstructed by other computer chassis elements, such as side panel doors. Check the tubing for any signs of kinks that could restrict the flow. Usually, this will not be the case when using original tubing.

Clogged microchannels in the water block: Microchannels get clogged easily with various dirt particles and impurities, especially with plasticizer powder, leached from the tubing (when using inauthentic tubing). The symptoms usually include a rapid spike in temperature when stressing your CPU to the maximum, and flow rates that are very low. Visually inspect the water block internals for any buildup or contamination and clean the system if necessary. In

case you have the water block with a translucent acrylic top, this inspection can be done without disassembling the system.

Thermal Interface Material not/improperly applied: The lack of - or even too much TIM (Thermal Interface Material/thermal paste/thermal grease) - may result in the overheating of your CPU. If that is the case, please refer to STEP 2 in the chapter Installing the Water Block.

Cooling liquid (coolant) is freezing: Running the system in a subzero environment may lead to liquid freezing. The symptoms include an initial rapid spike in the temperatures when stressing your CPU, followed by a substantial temperature drop after the liquid partially thaws. Always make sure the system is operating in an environment where ambient (room) temperature doesn't drop below 5°C.

Another culprit for exceedingly high CPU temperatures could be a partially or completely defective CPU. Some CPUs run at higher temperatures than others, and overheating can occur in the following scenario.

Poor thermal contact within the CPU itself: Some CPUs (such as Intel LGA 1151 socket based Skylake, Intel LGA 1150 based Haswell and older, and socket LGA 1155 based Ivy Bridge) are notorious for their poor thermal contact between the CPU die and the heat spreader (IHS) due to the use of poor TIM. This is the problem of the processor itself, not the CPU liquid cooling unit. These CPUs are known to get very hot (80°C +), even on factory-set frequencies. For the best performance, it is usually recommended to replace the TIM between the die and the IHS or even run the processor de-lidded. Both options require hazardous IHS removal that will void the processor's warranty but can lead to a temperature decrease of 30°C or more.

CLEANING GUIDE



Liquid cooling parts can be disassembled for cleaning purposes on an occasional basis. Your warranty will not be void upon disassembly of the water block, but you will lose the EK Leak-Free Guarantee that comes with a factory-tested component. A soft toothbrush is an excellent cleaning tool!

CLEANING NICKEL-PLATED COPPER

When cleaning nickel-plated copper, it is forbidden to use any aggressive chemicals (vinegar included) and rough materials since those could damage the plating and thus void the warranty. Also, note that due to the presence of dye additives and other chemicals, the nickel layer might become discolored/stained over time. However, the staining is usually reversible with a simple flush and rinse.

Cleaning the nickel-plated copper should consist of the following:

- rinse the nickel-plated copper under warm water;
- clean the surface using the wet nonabrasive cloth and once again rinse with clean water;
- if necessary, polish the hardened deposits (such as algae or dirt).

EK recommends the use of automotive soft nonabrasive metal polish cremes. After you finish using other cleaning methods, give the nickel plating a good polish with a nonabrasive metal or chrome polish. Apply a small amount of polish to a cloth or surface of the nickel. Wipe the entire surface of the nickel with the polish, using small circular motions, until it looks shiny and clean. Use another clean cloth to remove the remains of the polishing paste from the surface. Always rinse the surface with distilled water when you are done polishing it.

PREVENTIVE STEPS

Using corrosion-inhibiting coolants such as EK-CryoFuel or other market-proven coolants is highly recommended for any water cooling loop, especially those with nickel-plated parts. Since EK-CryoFuel is also a biocide, it will prevent algae growth and dirt deposition on all wet surfaces.

The use of specifically engineered coolants that contain corrosion, scale, and biological inhibitors is mandatory to prevent damage to your nickel-plated water cooling gear! EK is offering a selection of such products in the webshop's Coolants section.


SUPPORT AND SERVICE


For assistance please contact:


<http://support.ekwb.com/>

EKWB d.o.o.
Pod lipami 18
1218 Komenda
Slovenia - EU


SOCIAL MEDIA

 EKWaterBlocks

 @EKWaterBlocks

 ekwaterblocks

 EKWBofficial

 ekwaterblocks

