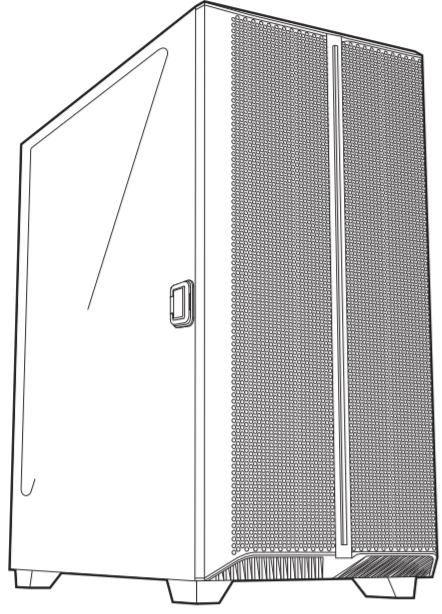
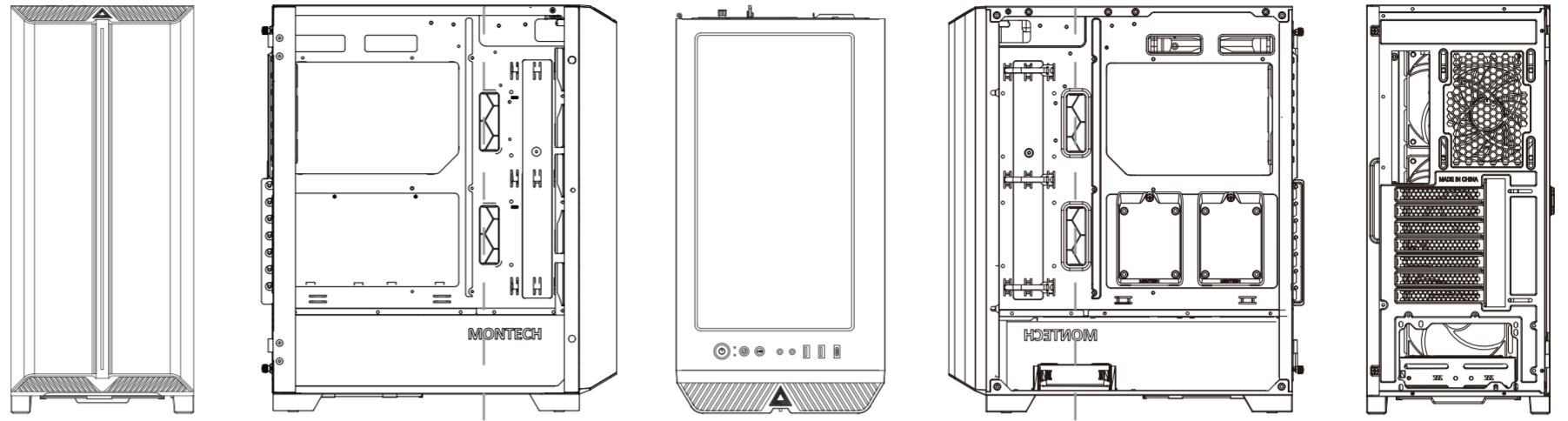


MONTECH



SKY ONE LITE
MID TOWER ATX CASE



SPECIFICATIONS

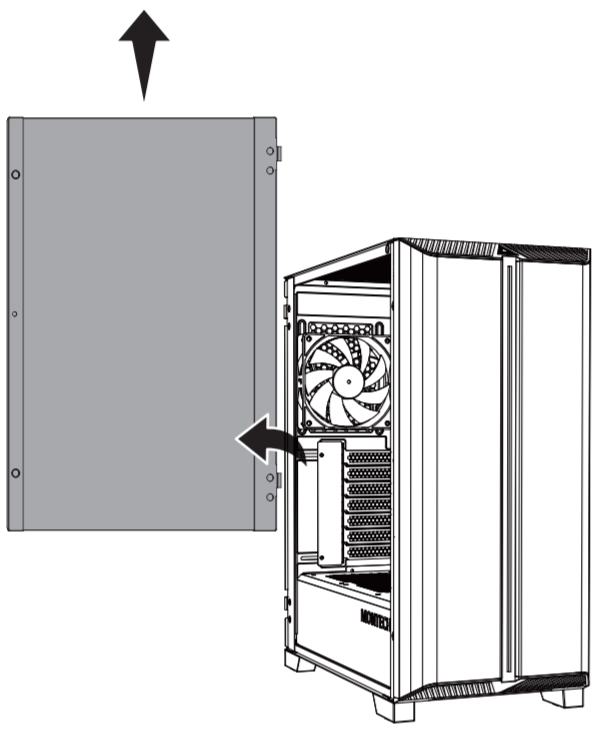
Product Name	SKY ONE LITE	Pre-Installed Fan(s)	Front 120mm*2 (High Airflow Fan) Rear 120mm*1 (High Airflow Fan) Top ---
Available Color	Black/White	Fan Support	Front 120 / 140mm*3 Rear 120mm Top 120 / 140mm*2 Inside 120mm*2
Dimensions (L*W*H)	416*220*490mm	Radiator Support	Front 120 / 140 / 240 / 280 / 360mm Rear 120mm Top 120 / 140 / 240 / 280mm
Motherboard Support	ATX/Micro-ATX/Mini-ITX	PSU Support	Bottom Mount, ATX
Expansion Slots	7		
Hard Disk Support	2.5"SSD*4/3.5"HDD*2 or 2.5"SSD*2		
I/O Port	USB3.0*2/USB 3.1*1/Mic*1/Audio*1/LED & Reset Button		
GPU	350mm		
CPU Cooler	170mm		
Dust Filters	Top, Bottom		
Lighting Support	Front ARGB LED Strip*1		

ACCESSORY BAG

	Standoff Remover/鋼柱套筒	1
	Motherboard Screw/主板螺絲	33
	SSD Screw/SSD螺絲	6
	PCIe Screw/PCIe螺絲	6
	HDD Screw/HDD螺絲	8
	Internal Speaker/揚聲器	1
	Cable Tie/束線帶	5

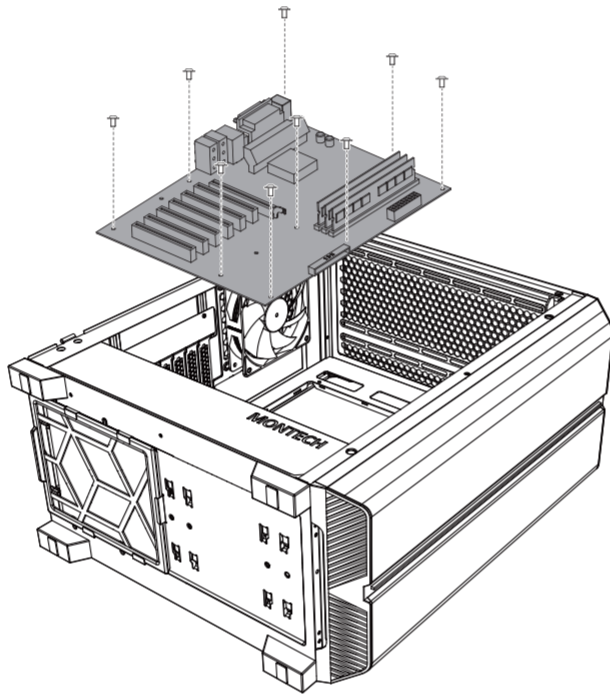
1 REMOVING GLASS SIDE PANEL

After opening the glass door, take out the glass vertically.
拉開玻璃門後，垂直向上取出玻璃。



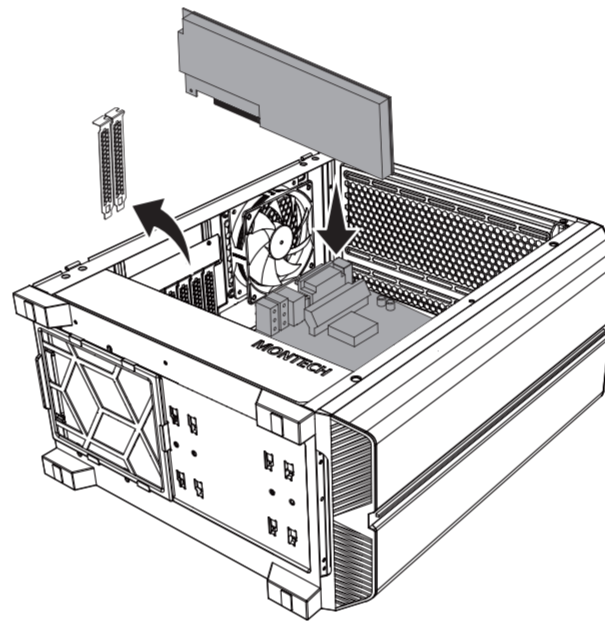
2 MOTHERBOARD INSTALLATION

Support
ATX / Micro-ATX / Mini-ITX
支援
ATX / Micro-ATX / Mini-ITX



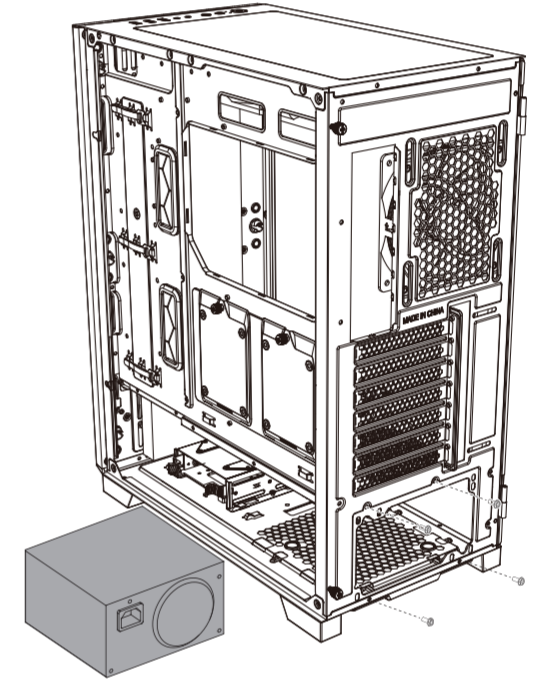
3 GPU INSTALLATION

Support
350mm/310mm (if installed front radiator)
*The rear PCIe slot implements a reusable design
支援
310mm(含水冷) / 350mm(不含水冷)
*可重複使用PCIe插槽

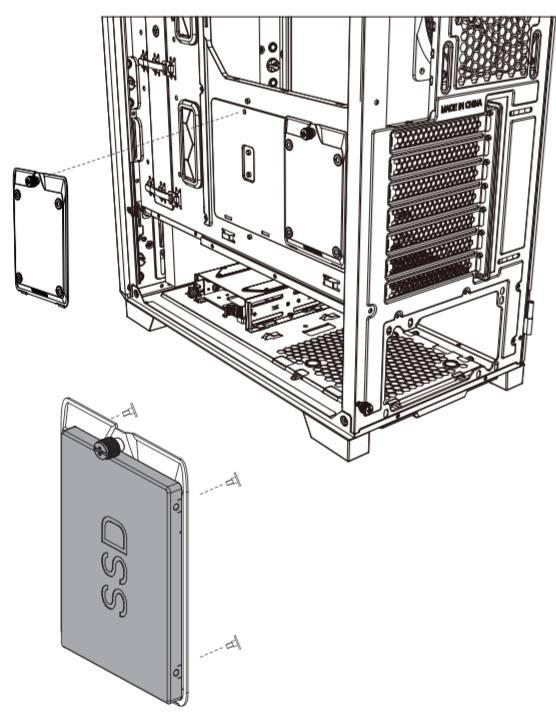


4 PSU INSTALLATION

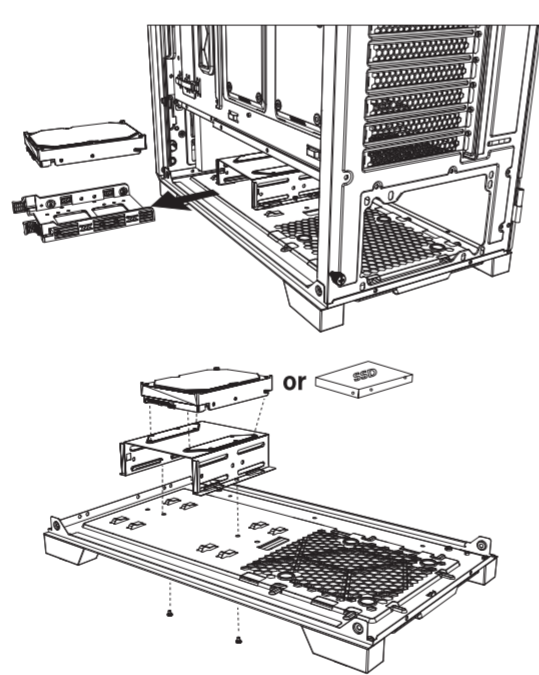
Support
180mm High-End Power Supply (200mm if HDD cage removed)
支援
~180mm電源(如果拆除硬碟架可支援200mm)



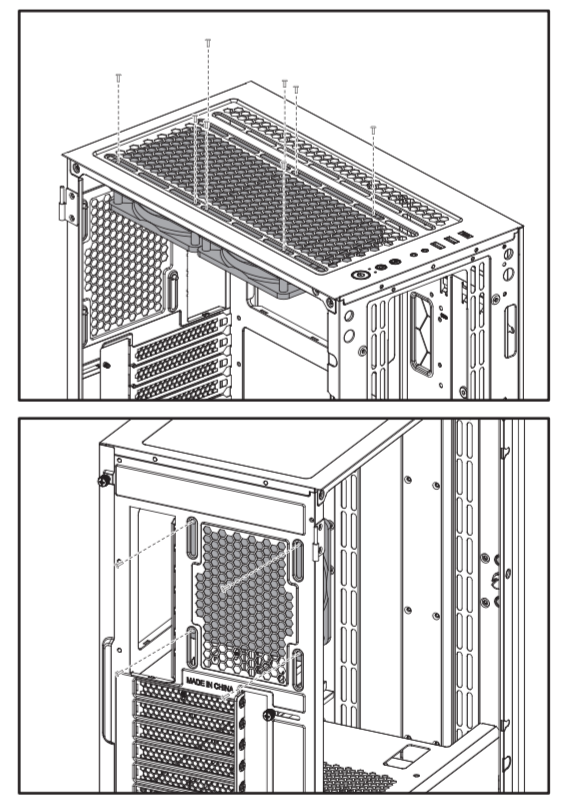
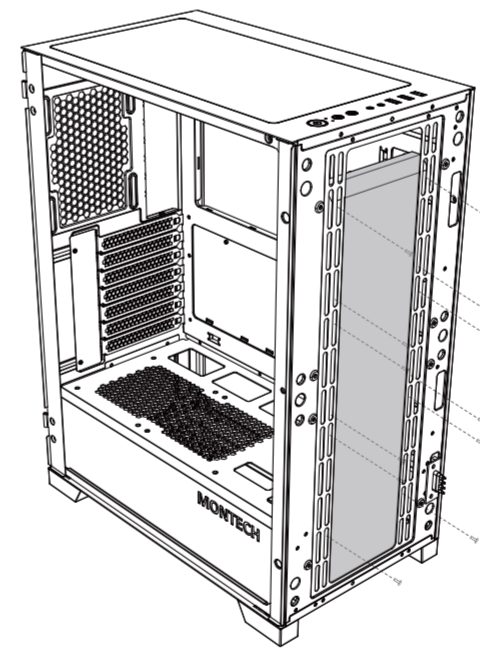
5 2.5 SSD INSTALLATION



6 3.5 HDD & 2.5 SSD INSTALLATIO

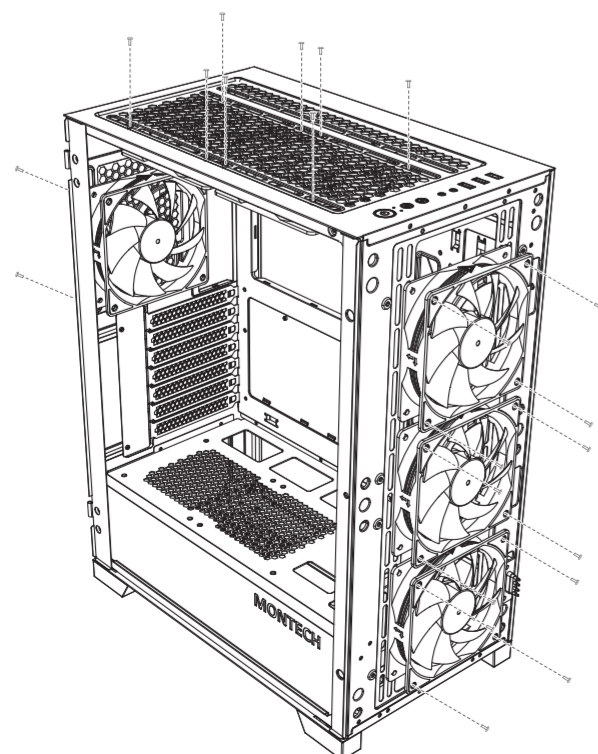


7 RADIATOR INSTALLATION

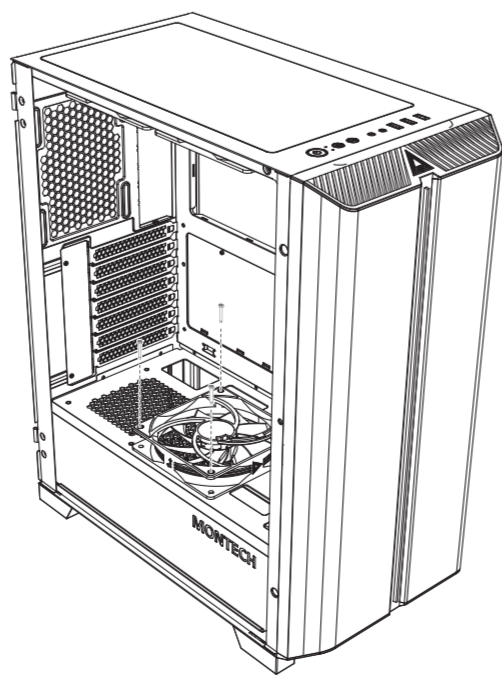


Front 120 / 140 / 240 / 280 / 360mm
Top 120 / 140 / 240 / 280mm
Rear 120mm

8 FAN INSTALLATION

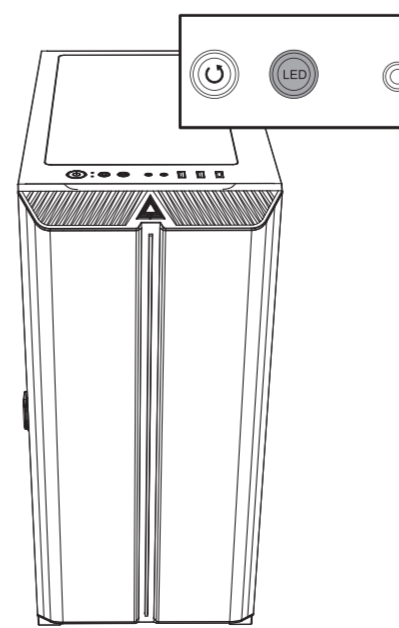


Front 120 / 140mm*3
Top 120 / 140mm*2
Rear 120mm
Inside 120mm*2



9 ARGB CONTROL

*Change Effect: Short press LED button
*Turn Off the Light: Press LED button for 3 seconds
*Sync with Motherboards: After connecting the ARGB wire to the motherboard, long press the LED button for 5 seconds
*切換模式：輕按LED鍵
*關閉模式：常按LED鍵三秒
*主板同步：將ARGB線插入主機板後，常按LED按鍵五秒即可同步



ALL RIGHTS RESERVED
Specifications are subject to change without notice.
Actual products and accessories may differ from the illustrations (except for omissions and typographical errors).
Shipping contents may vary by country or region. Certain trademarks may be considered the property of others.
價格如有更改，恕不另行通知。
實際產品和配件可能與插圖有所不同(遺漏和印刷錯誤除外。)
不同國家或地區的配送內容可能有所不同。