



MAG Series

PC Case

MAG PANO 100L PZ

MAG PANO 100L PZ WHITE

MAG PANO 100R PZ

MAG PANO 100R PZ WHITE

User Guide

Contents

Specifications	3
Accessories	5
Case Features	6
Side and Front View	7
I/O and Buttons	8
Side Panel Removal	9
Side Dust Filter Removal	10
Side Dust Filter Installation	11
Top Panel Removal	12
Front Bezel Removal.....	13
Motherboard Installation	14
Graphics Card Brackets Replacement	15
Horizontal Graphics Card Installation.....	16
Vertical Graphics Card Installation.....	17
GPU Holder Installation and Adjustment.....	18
Opening Cable Management Door	19
HDD & SSD Installation.....	20
PSU Installation.....	21
Fan Compatibility and Setup.....	22
Radiator Compatibility and Setup	23
Panel I/O Connection.....	24
Front Bezel ARGB LED Connection.....	25
General Information	26

Specifications

Basic Information

Case Type	Mid Tower
Dimensions (DxWxH)	518.7 x 290 x 482mm
Supported Motherboard Sizes	ATX* (305 x 244mm), Micro-ATX*, Mini-ITX * Supports ATX and Micro-ATX back-connect motherboards

Cooling Fan Support

Top	3 x 120mm or 3 x 140mm
Front	No
Rear	1 x 120mm 100R pre-installed 1 x 120mm 3-pin ARGB fan (Normal Blade)
Side	3 x 120mm or 2 x 140mm 100R pre-installed 3 x 120mm 3-pin ARGB fans (Reverse Blade)
Bottom	3 x 120mm, 2 x 140mm or 2 x 160mm

Expansion Slots

Horizontal GPU Bracket	8 slots
Vertical GPU Bracket (pre-installed)	4 slots

Drive Bays

2.5" SSD	5
3.5" HDD	2
Combo 3.5"/2.5"	2 x 2.5" or 2 x 3.5"

I/O Ports and Buttons

USB Ports	2 x USB 5Gbps Type-A 1 x USB 20Gbps Type-C
Audio Ports	1 x Audio/Microphone combo jack
Buttons	1 x Power button 1 x Reset button











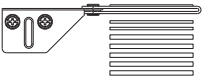
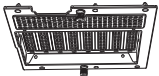
Chassis Clearances

Maximum CPU Cooler Height	166 mm
Maximum GPU Length	380 mm
Top Radiator Support	360 mm
Rear Radiator Support	120 mm
Side Radiator Support	360 mm
Bottom Radiator Support	360 mm
PSU Support	200 mm

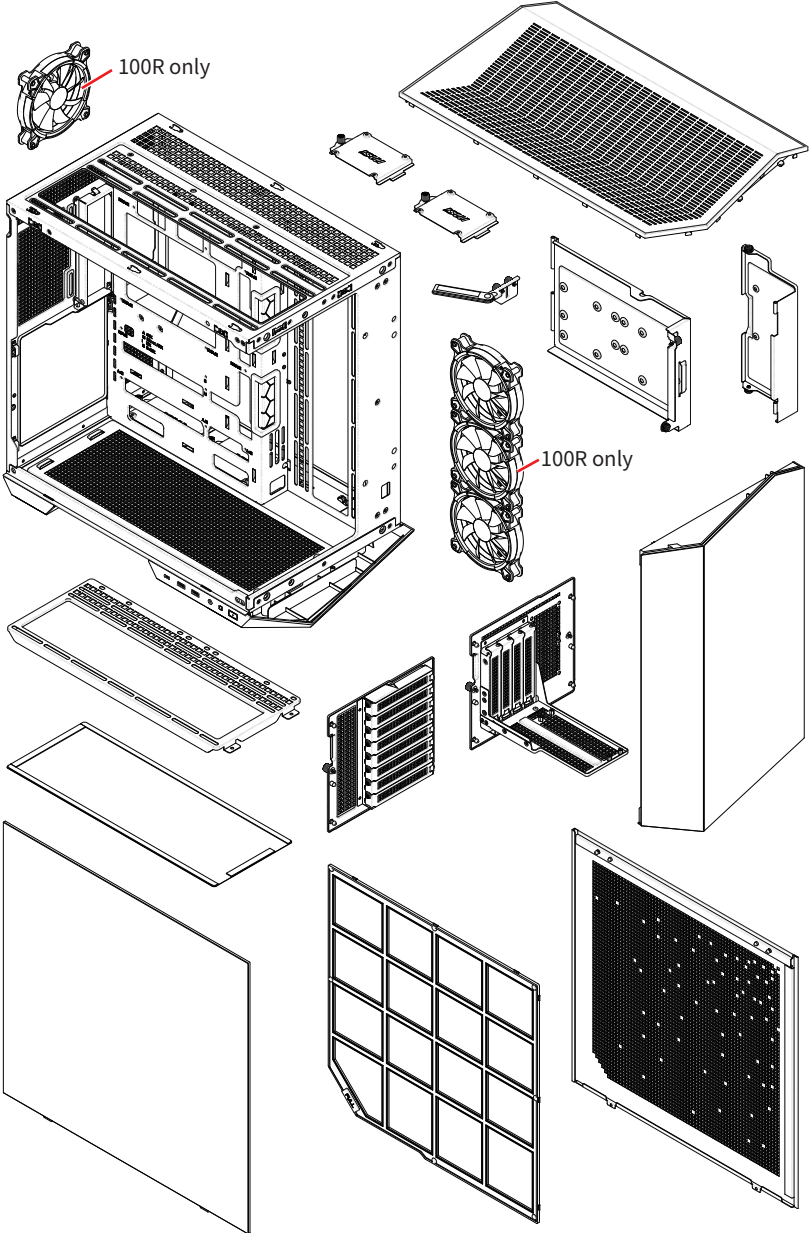
Materials

Metal Specification	SPCC 0.8 mm
Front Bezel Material	4mm tempered glass
Left Side Panel	4mm tempered glass
Top Bezel	Internal plastic structure enclosed in metal
Dust Filter	Top: Plastic filter Right: Plastic, magnetic frame Bottom: Plastic, magnetic frame
GPU holder	Steel

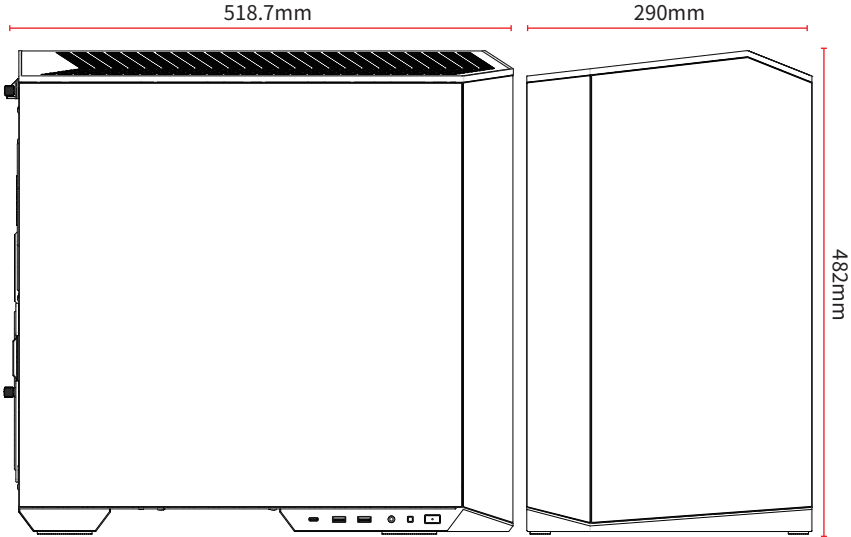
Accessories

Item	Name / Q' ty	Used for
	Cable ties x5	Cable management
	Screw M3 5mm x21	Motherboard / SSD
	Screw #6-32 6mm x6	Securing PSU / PCIe Card
	Screw #6-32 10mm x8	3.5" HDD
	Screw M3 10mm x8	2.5" SSD
	HDD silicone shock absorber pad x6	Protecting HDD from physical shocks and vibrations
	Stand-off #6-32 6.5mm x4	Motherboard Stud
	Stand-off Mounting Tool x1	Securing stand-off
	Spare U Clip x2	Securing side panel
	Hook-and-loop fastener x1	Cable management
	GPU Holder x1 56*10*2mm EVA pad x2 56*10*10mm EVA pad x5	Supporting the horizontal graphics card
	Horizontal Graphics Card Bracket x1	Installing the horizontal graphics card

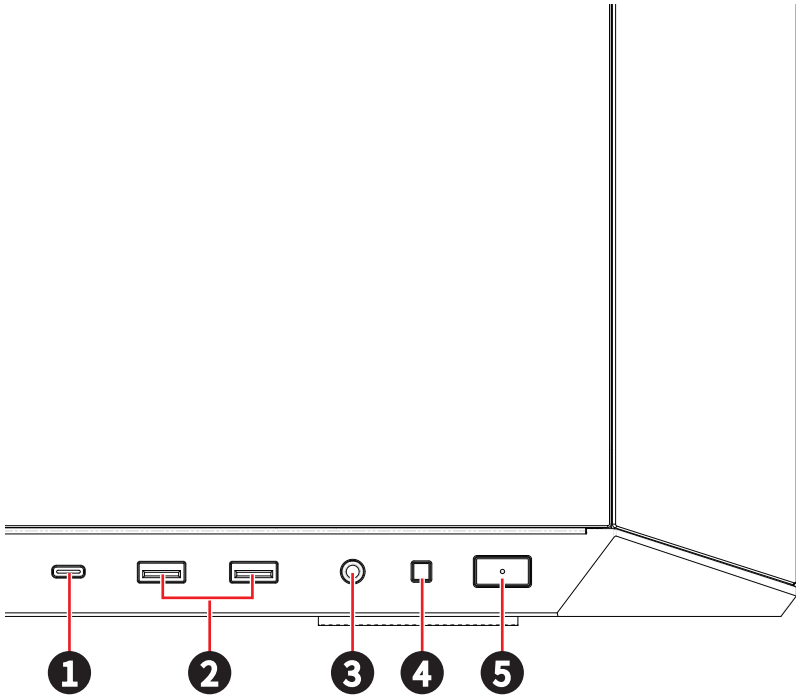
Case Features



Side and Front View

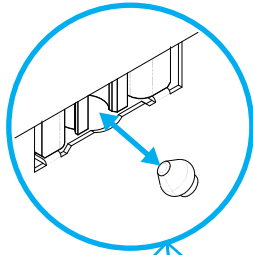


I/O and Buttons

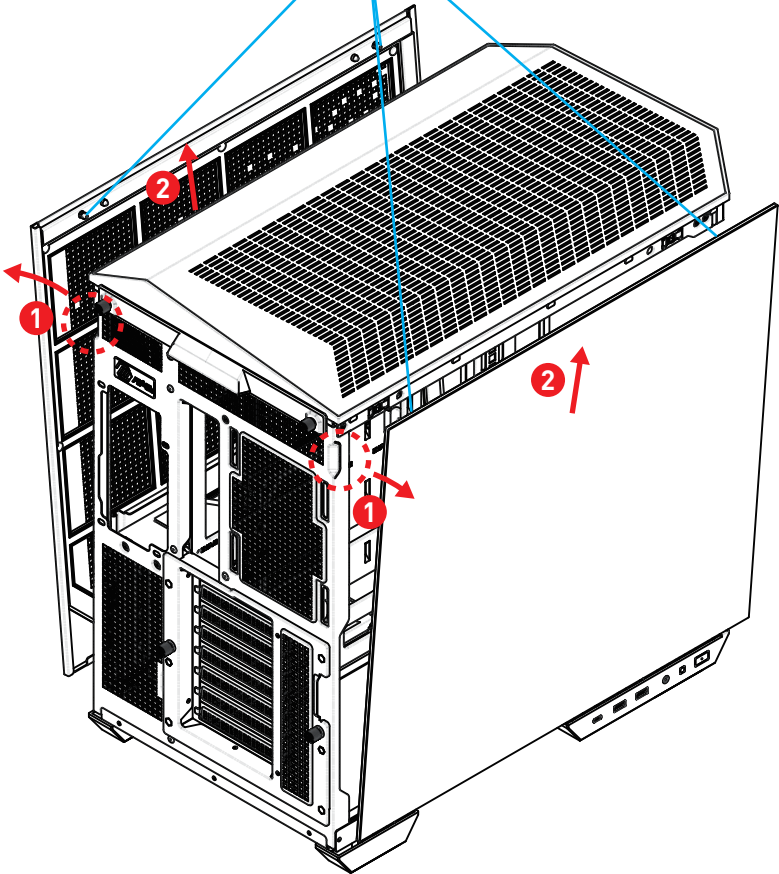


Item	Description
1	USB 20Gbps Type-C
2	USB 5Gbps Type-A
3	Audio/Microphone combo jack
4	Reset button
5	Power button

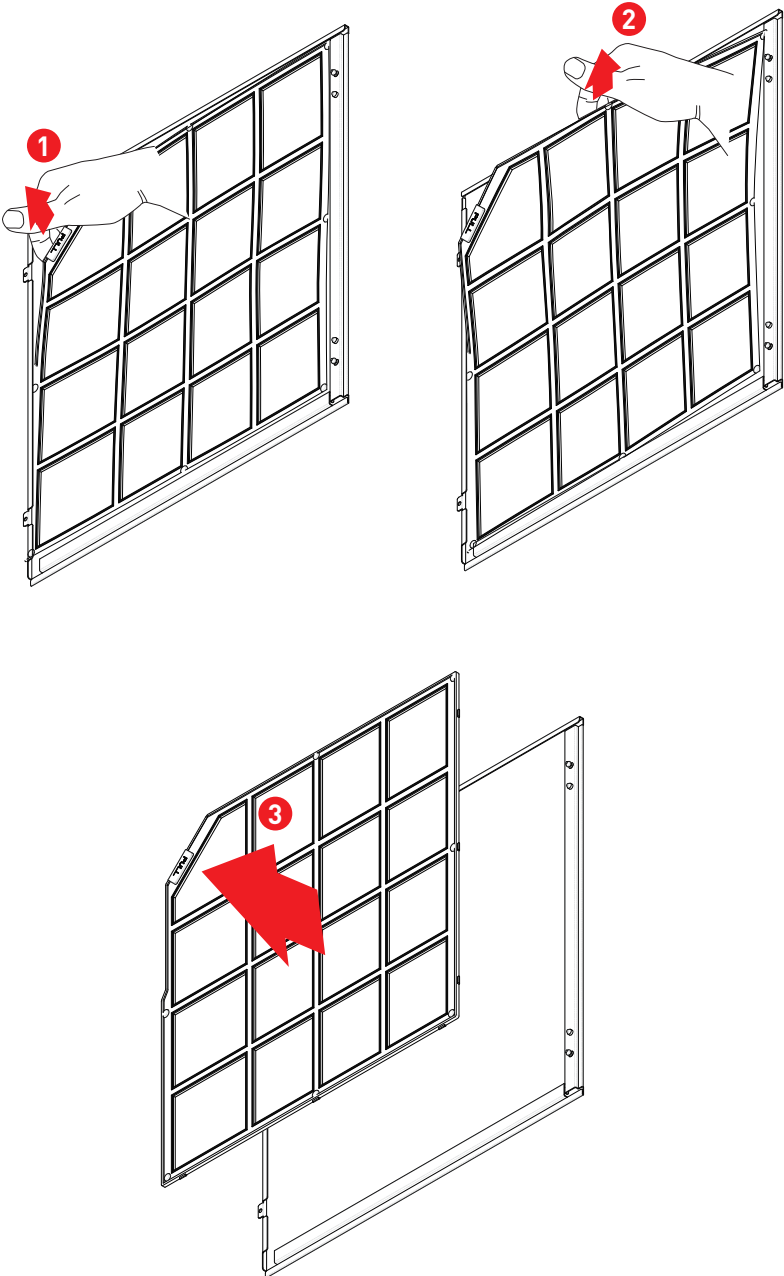
Side Panel Removal



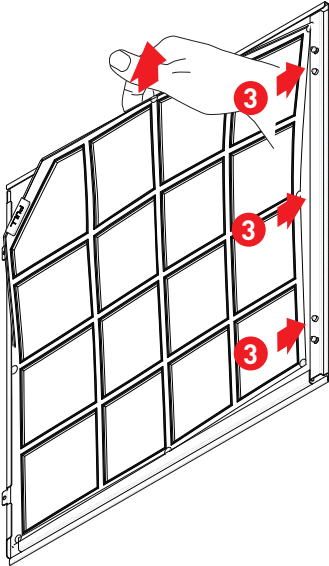
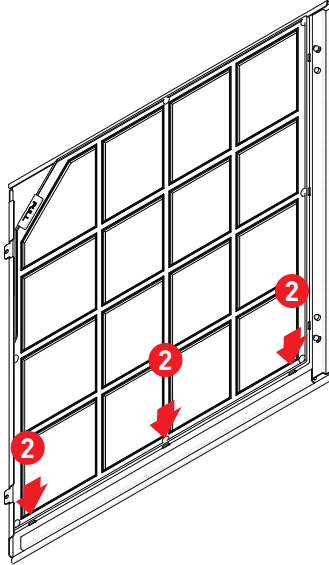
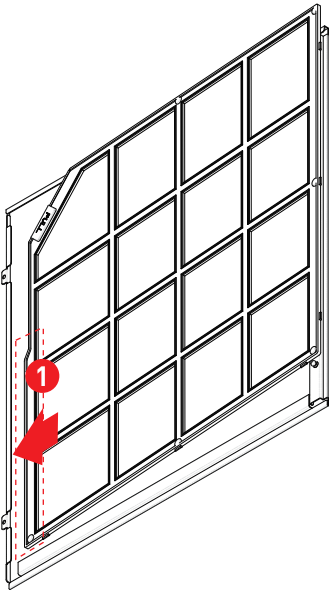
The side panel is held in place by snap-fit clips



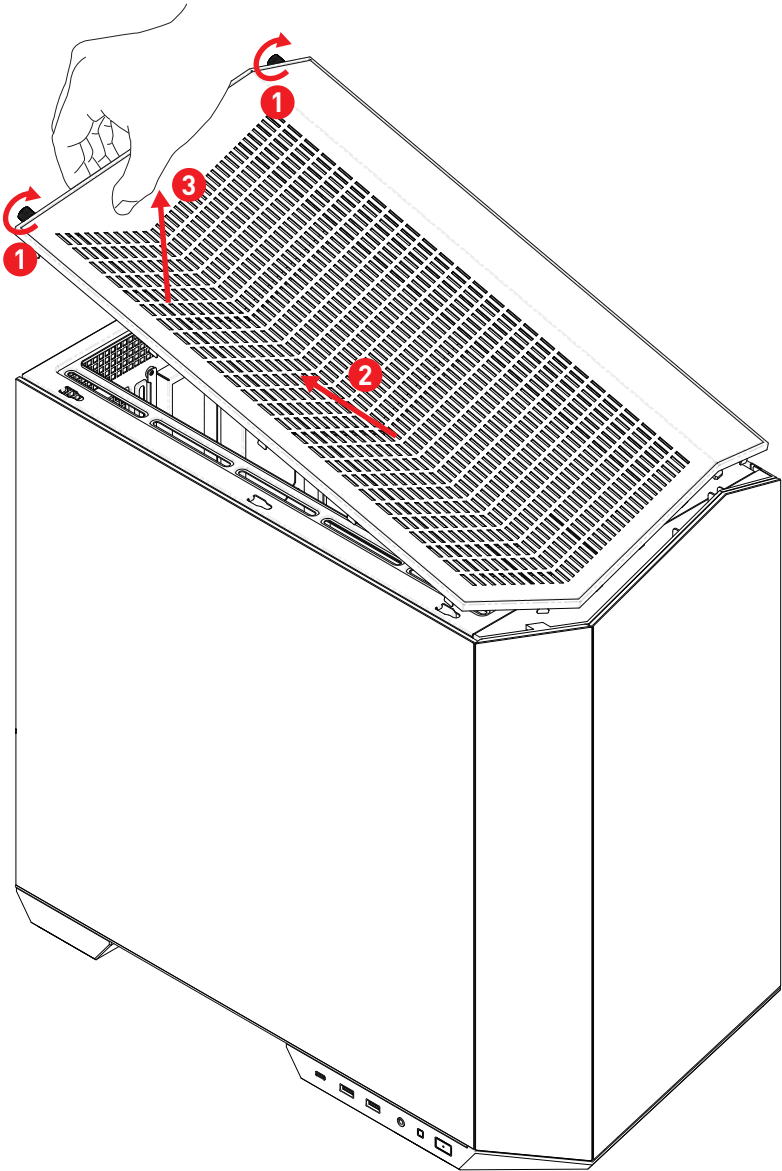
Side Dust Filter Removal



Side Dust Filter Installation



Top Panel Removal



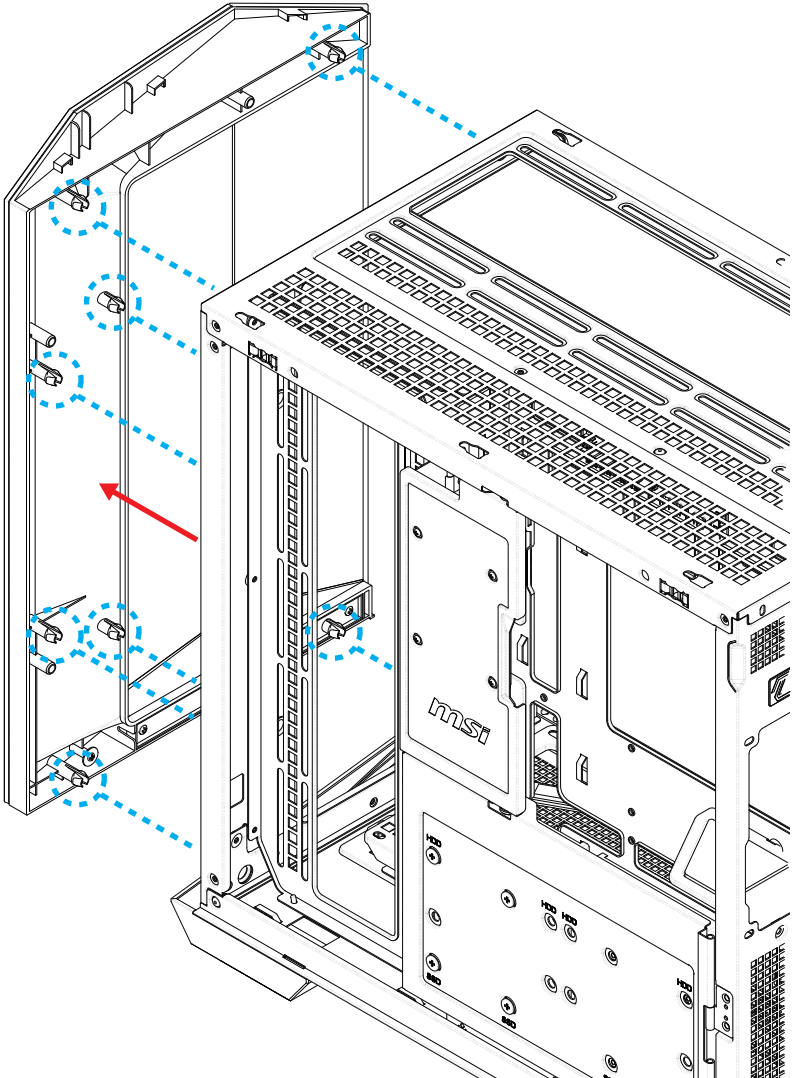
Front Bezel Removal

Before removing the front bezel, please remove the top panel and side panels on both sides and gently pull out the front panel with your hand.

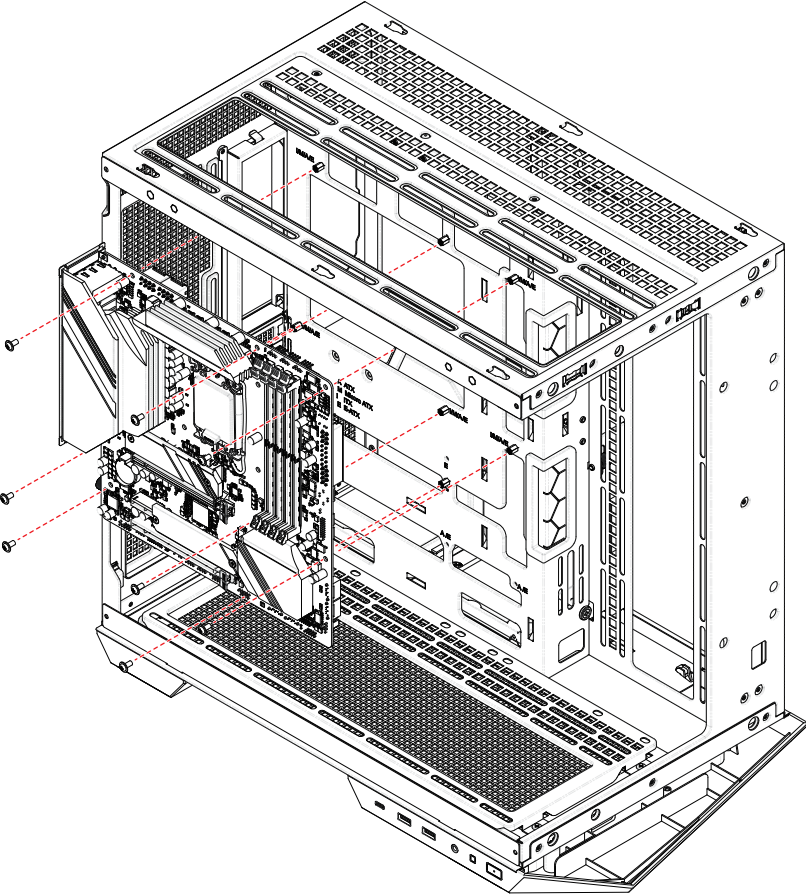


CAUTION

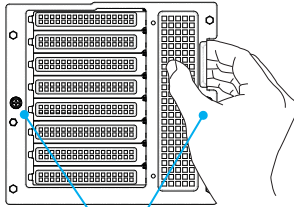
When pulling the front panel, please pull the plastic shell part with your hands and avoid pulling on the glass to avoid breakage.



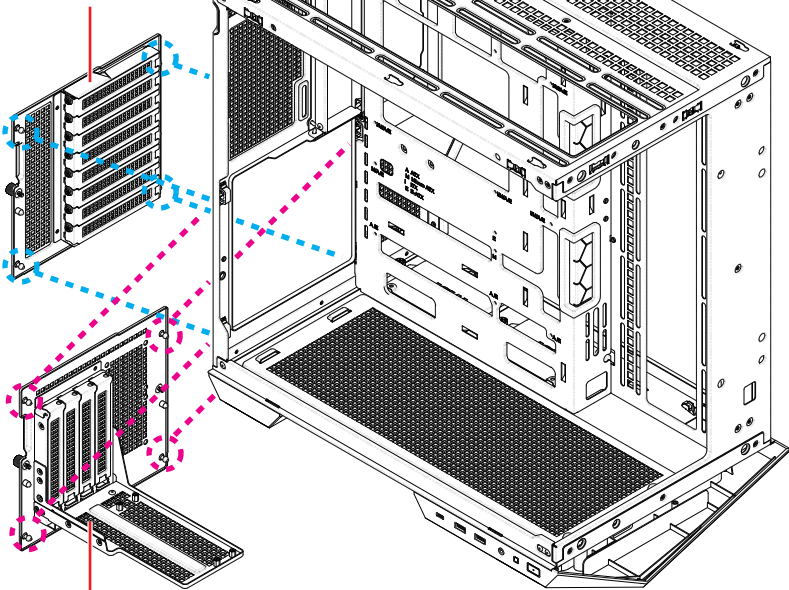
Motherboard Installation



Graphics Card Brackets Replacement



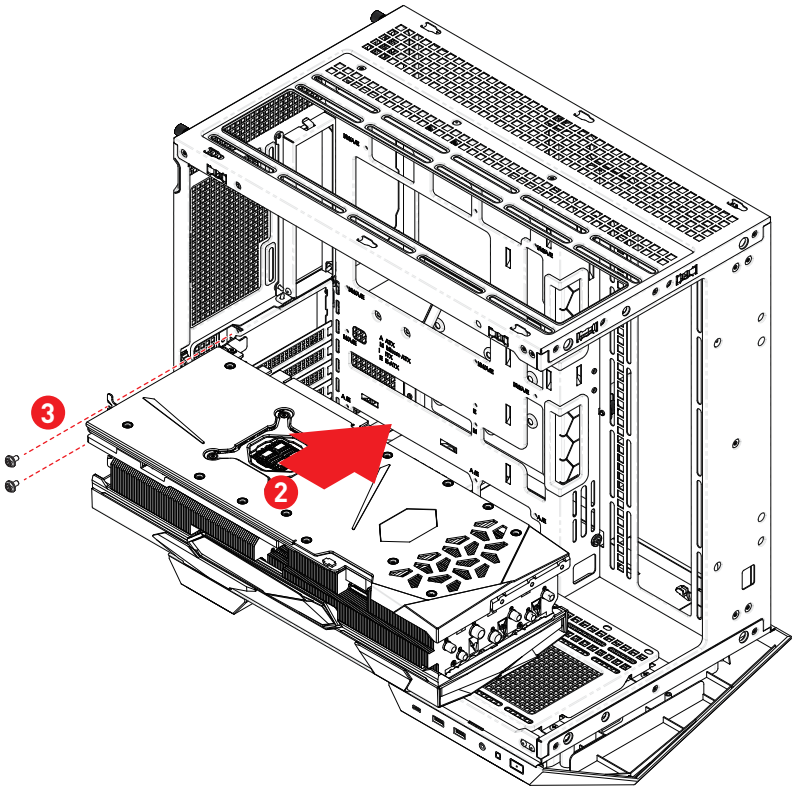
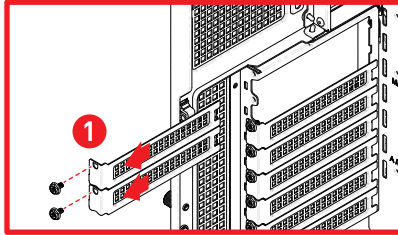
Horizontal Graphics Card Bracket



Vertical Graphics Card Bracket

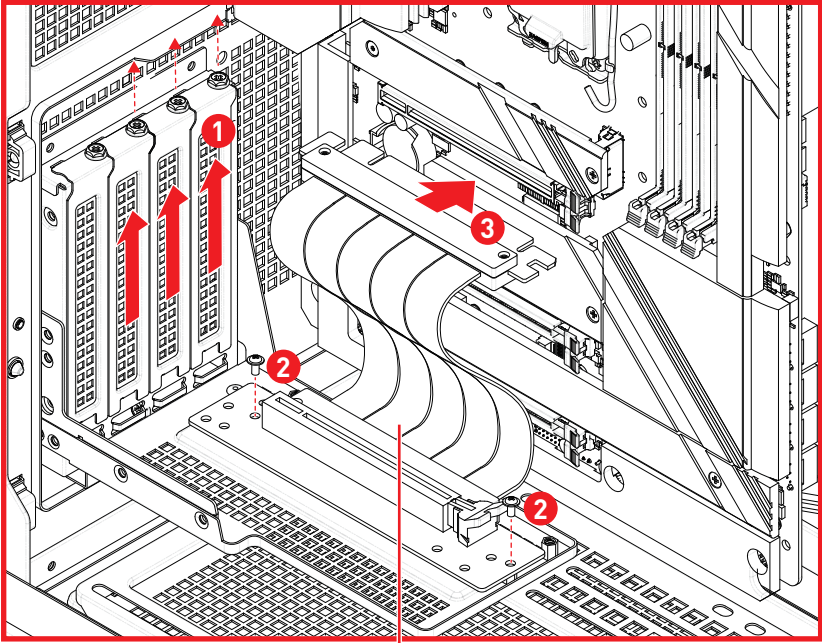
Horizontal Graphics Card Installation

Before horizontally installing the graphics card, please refer to the **Graphics Card Brackets Replacement** section and replace it with the Horizontal Graphics Card Bracket.

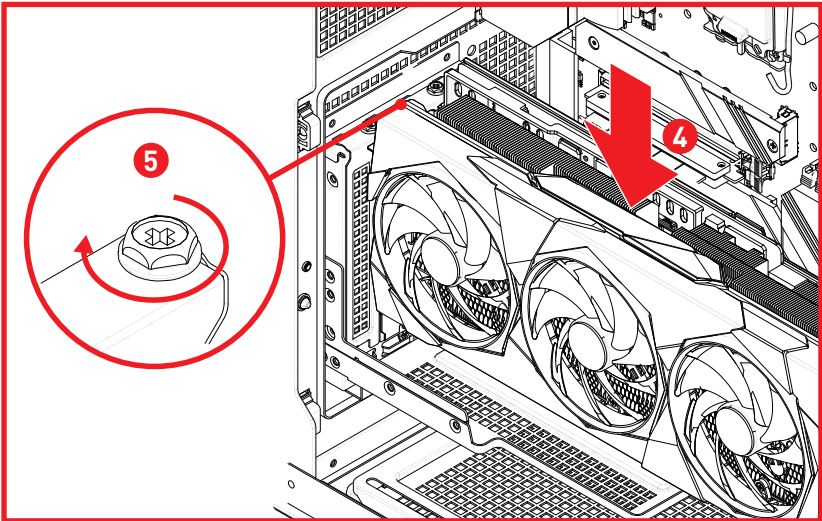


Vertical Graphics Card Installation

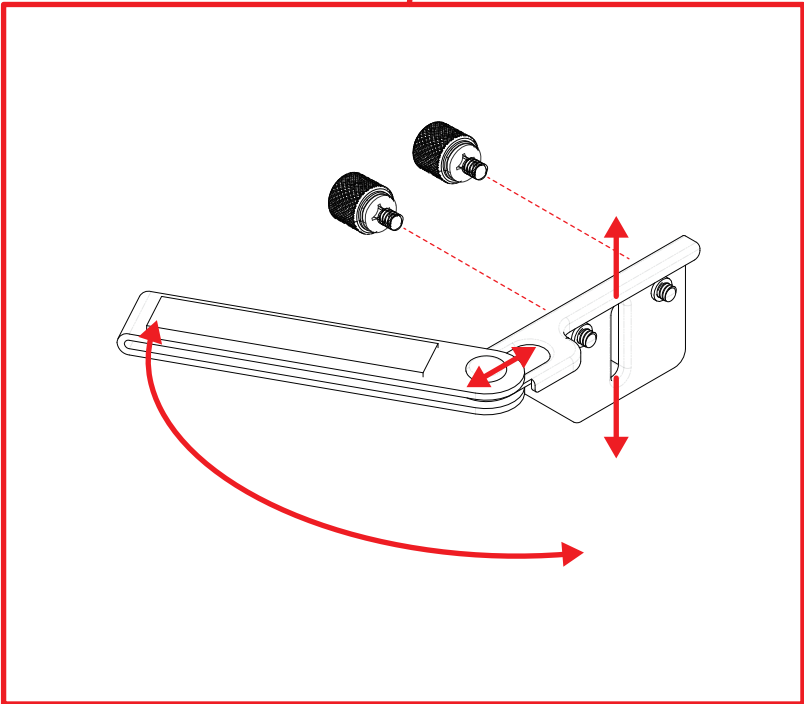
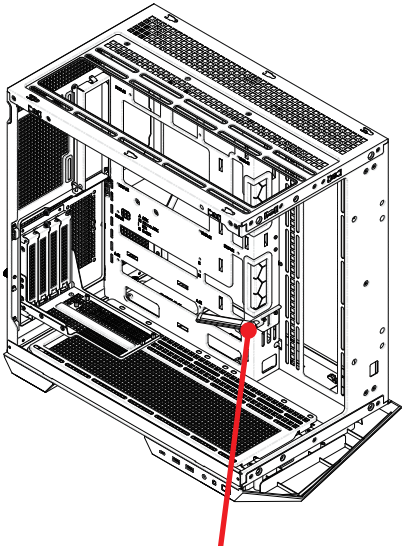
Before vertically installing the graphics card, please refer to the **Graphics Card Brackets Replacement** section and replace it with the Vertical Graphics Card Bracket.



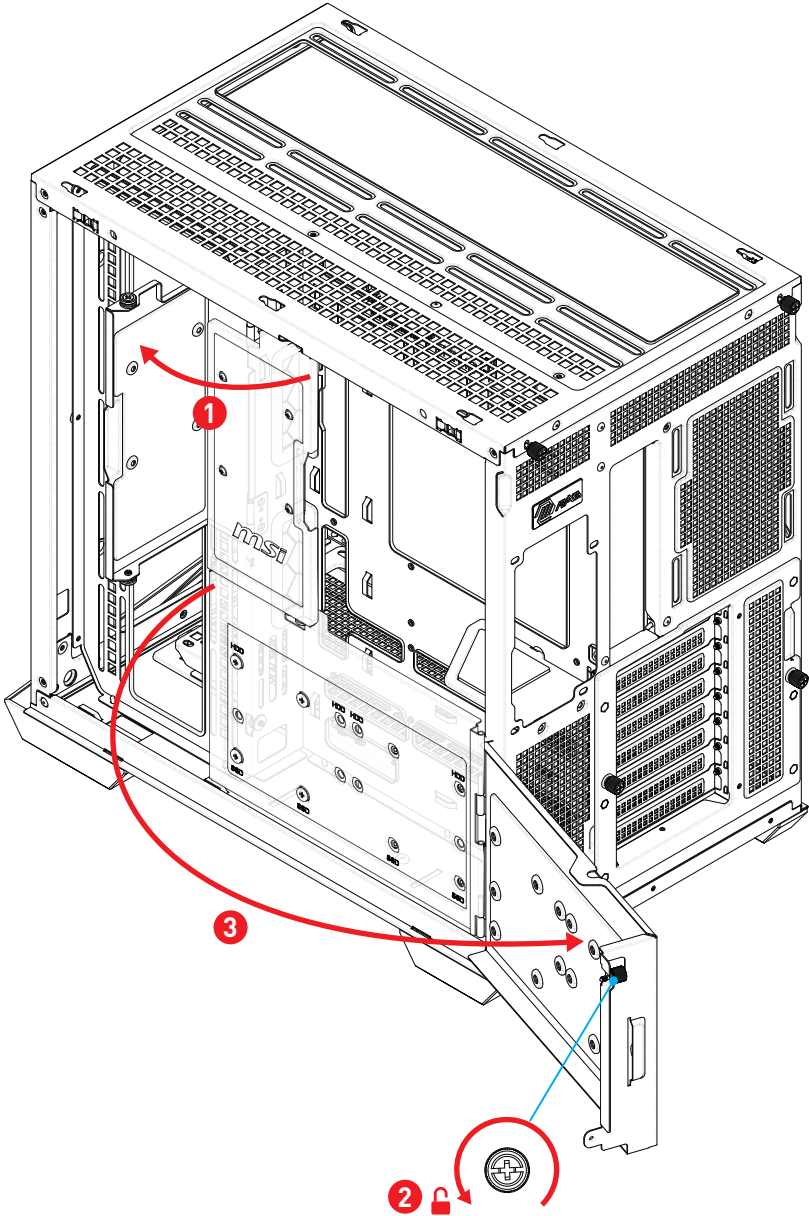
The riser cable needs to be purchased separately.



GPU Holder Installation and Adjustment

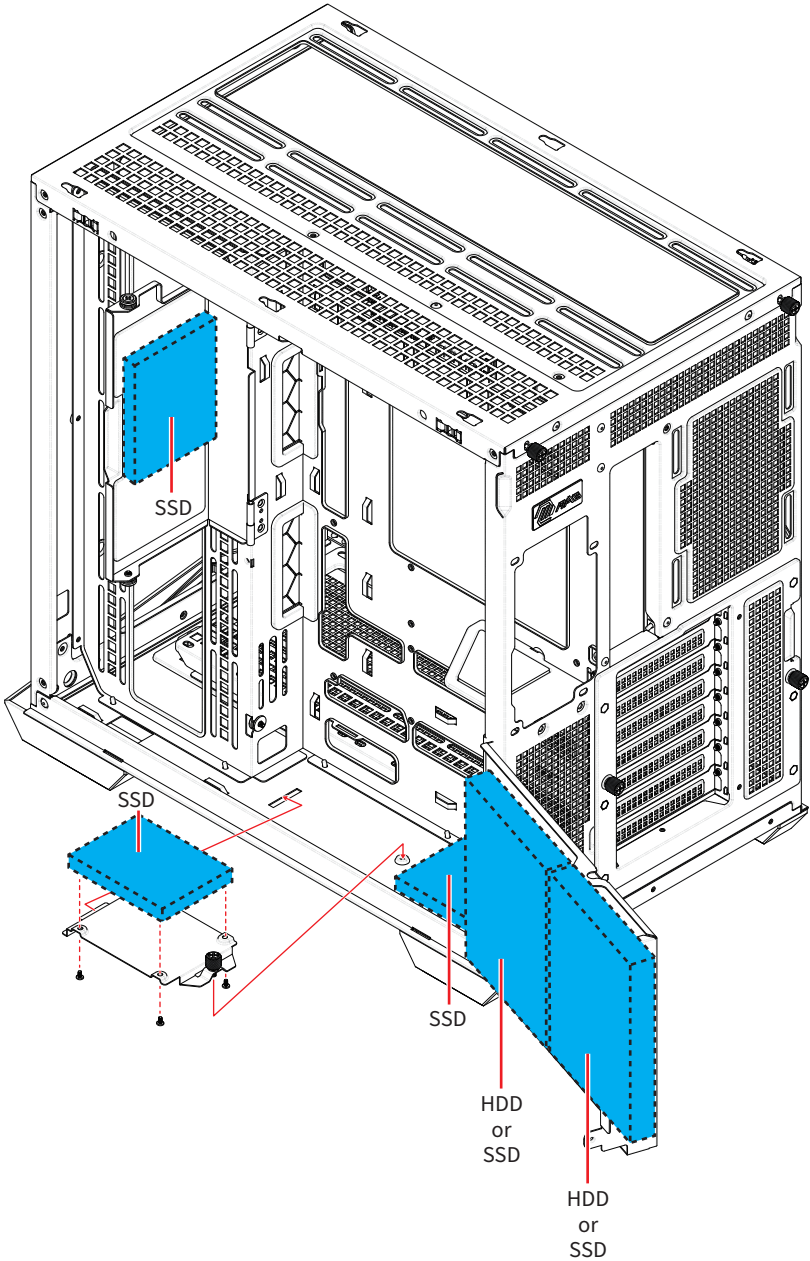


Opening Cable Management Door



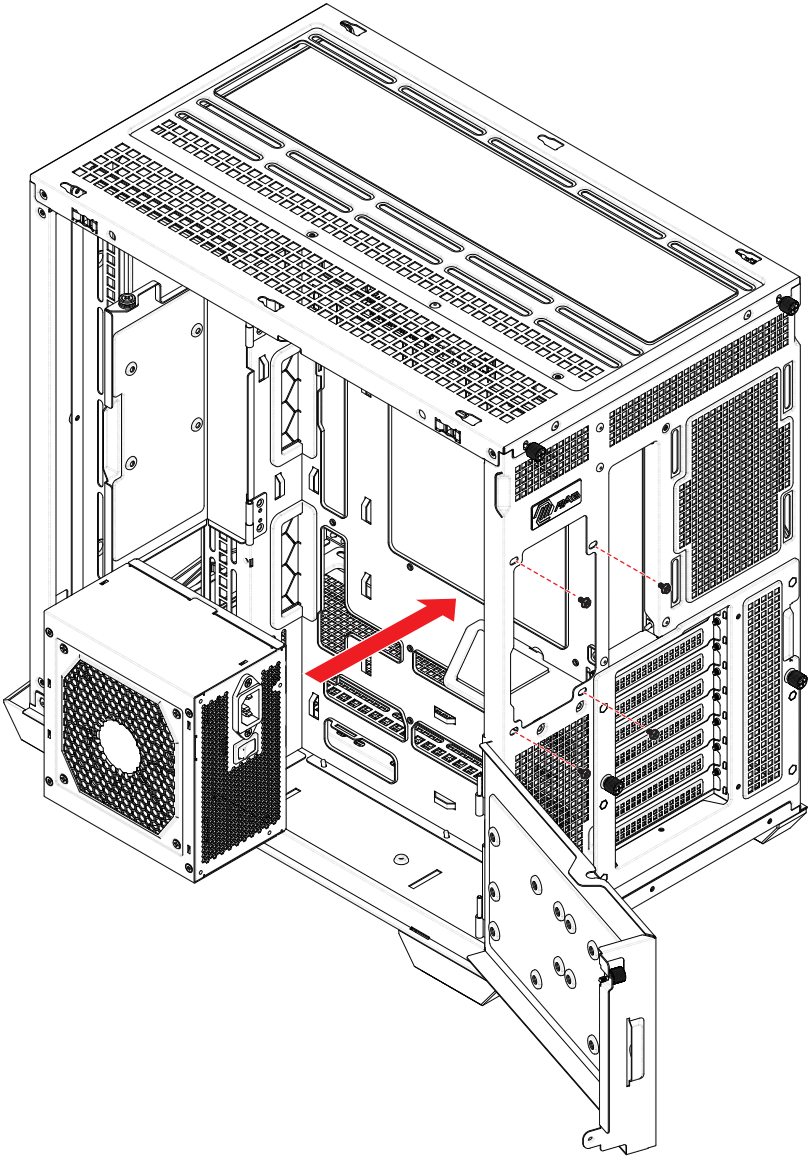
HDD & SSD Installation

Please refer to the **Opening Cable Management Door** section before installing the HDD & SSD.

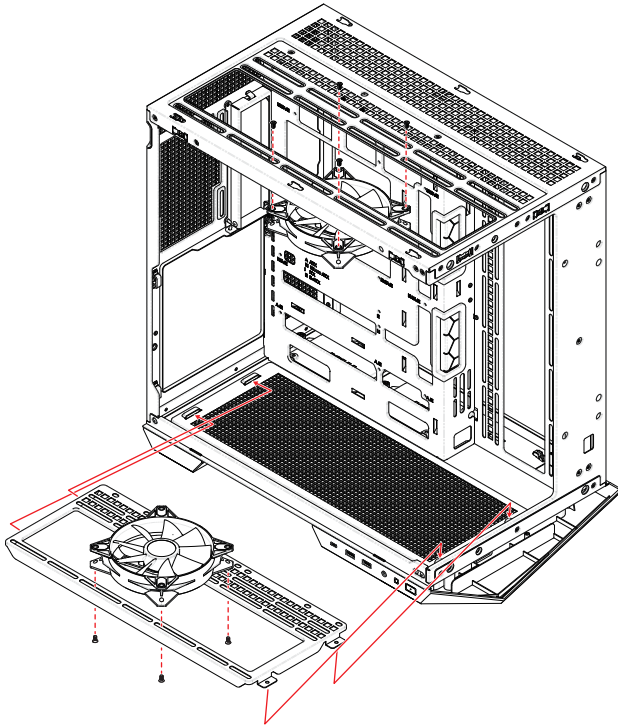


PSU Installation

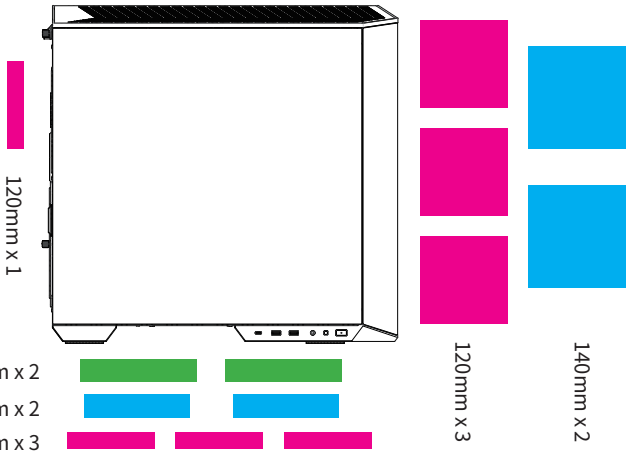
Please refer to the **Opening Cable Management Door** section before installing the PSU.



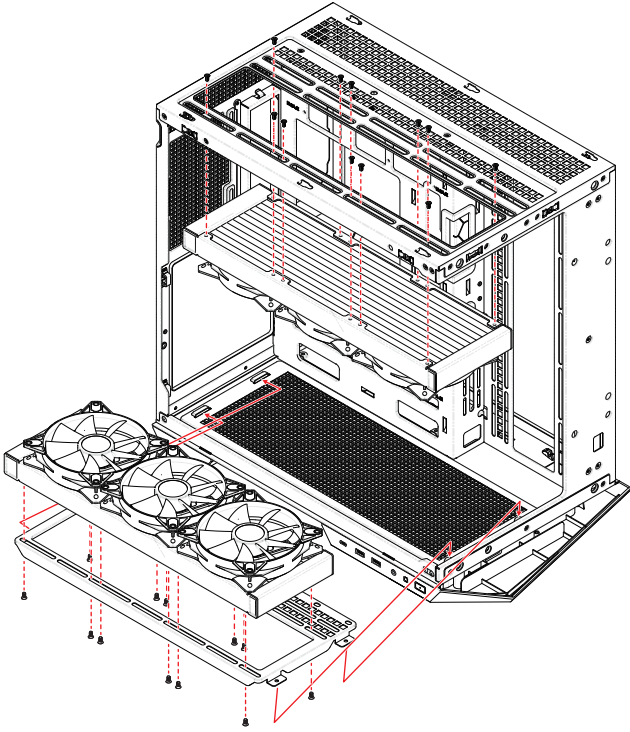
Fan Compatibility and Setup



140mm x 3 
 120mm x 3 



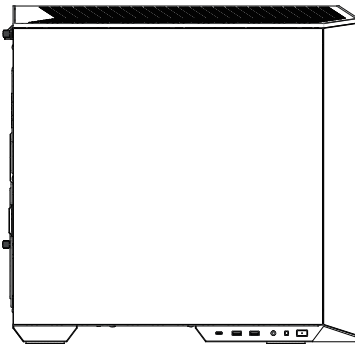
Radiator Compatibility and Setup



360mm



120mm



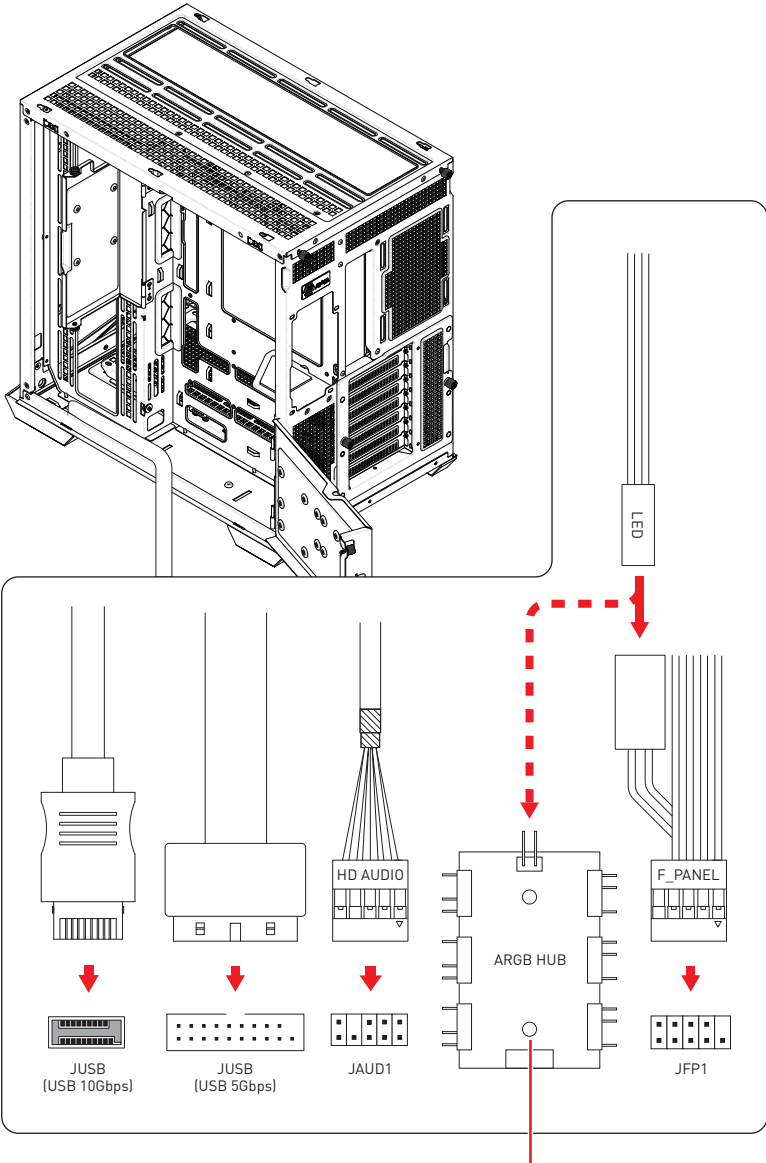
360mm



360mm

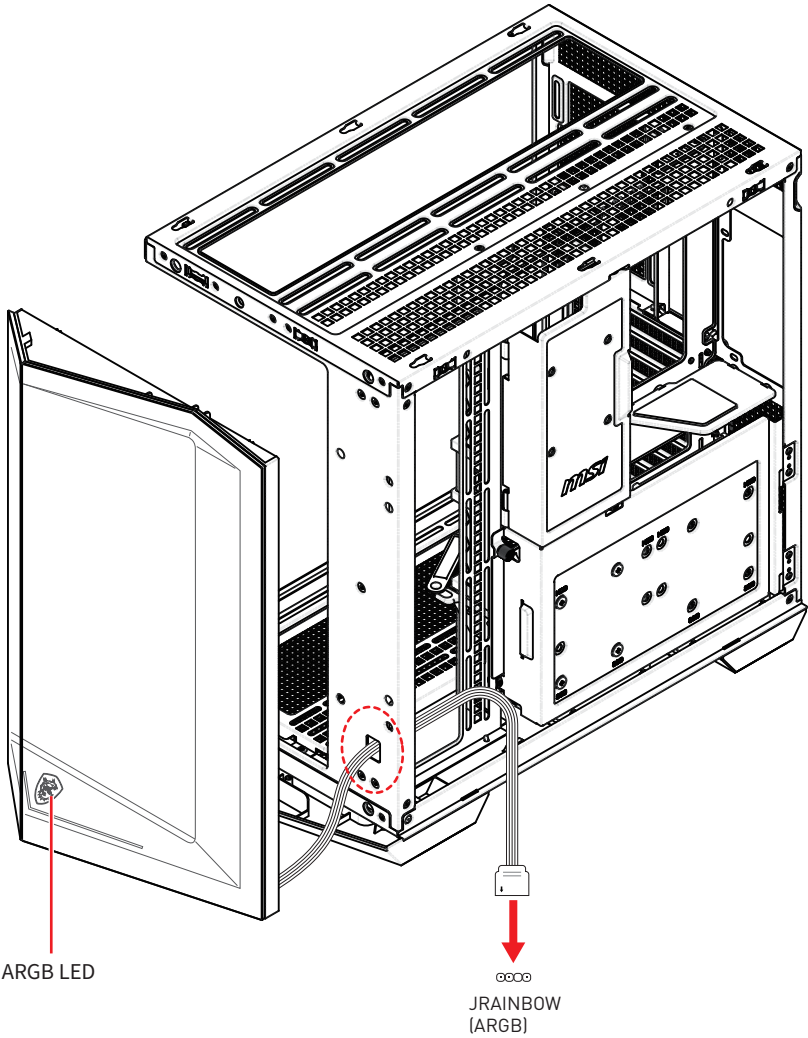


Panel I/O Connection



The ARGB HUB needs to be purchased separately.

Front Bezel ARGB LED Connection



General Information

Copyright and Trademarks Notice

msi **MSI** **微星** **微星科技**
MICRO-STAR INTERNATIONAL



Copyright © Micro-Star Int'l Co., Ltd. All rights reserved.

The MSI logo used is a registered trademark of Micro-Star Int'l Co., Ltd. All other marks and names mentioned may be trademarks of their respective owners. No warranty as to accuracy or completeness is expressed or implied. MSI reserves the right to make changes to this document without prior notice.

All text, images, illustrations, and other content in this manual are the property of MSI. No part of this manual may be reproduced, distributed, or used in any form without the written permission of MSI.

Revision History

- Version 1.0, 2024/04, First release.
- Version 1.1, 2024/11, Add 100R.

