

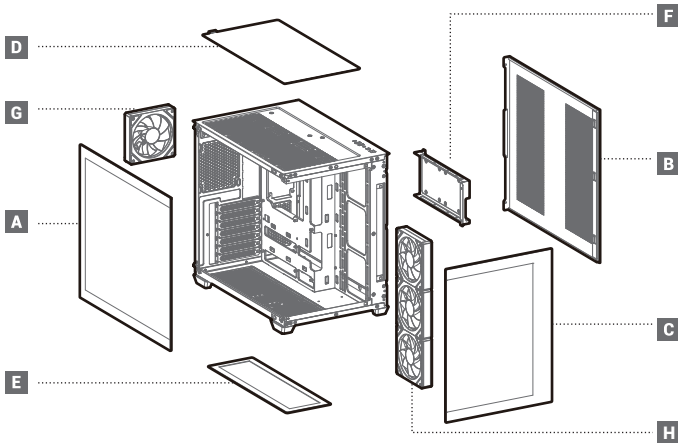
# CG530 4F Series

Panoramic Glass Panels Dual Chamber ATX Case

---



## Case Features



### Case Specifications

Length: 440mm  
Width: 285mm  
Height: 399mm

Fan locations:

Front: NA

Top: 3x120mm/2x140mm

Rear: 1x120mm

Maximum GPU length: 410mm

Maximum PSU length: 210mm

Maximum CPU cooler height: 160mm

Side: 3x120mm/2x140mm

Bottom: 3x120mm/3.5 HDD+2x120mm/2.5 SSD+2x120mm

Radiator compatibility:

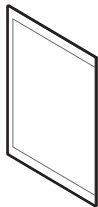
Front: NA

Top: 120/140/240/280/360mm

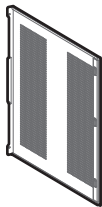
Side: 120/140/240/280mm

Bottom: 120/240/360mm

---

**A**

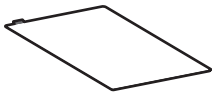
Tempered Glass Side Panel

**x1****B**

Right Side Panel

**x1****C**

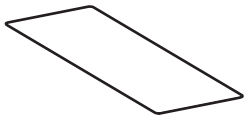
Tempered Glass Front Panel

**x1****D**

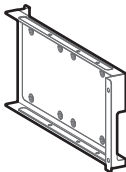
Top Dust Filter

**x1**

---

**E**

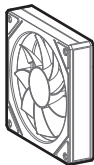
Bottom Dust Filter

**×1****F**

Hard Disk Bracket

**×1****G**

120mm PWM ARGB Fan

**×1****H**

120mm PWM ARGB Reverse Blade Fans

**×3**

# Accessory Kit Contents

**I**

PSU screws

**x6****J**

Motherboard screws

**x18****K**

HDD screws

**x9****L**

Stand Off

**x3****M**

Sleeve Screws

**x1****N**

Cable ties

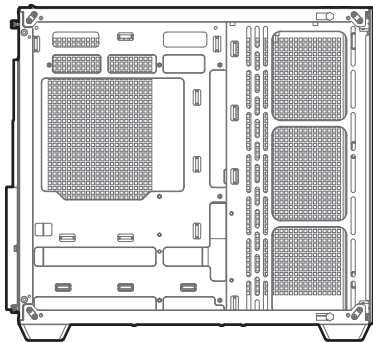
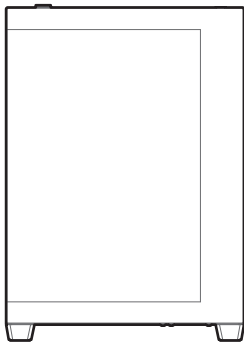
**x5**

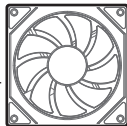
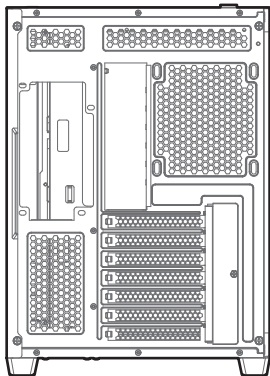
# Specifications

285mm

440mm

399mm

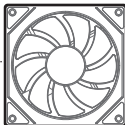
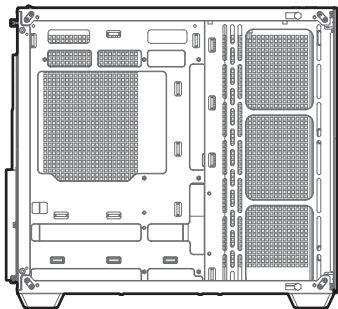




120mm×1

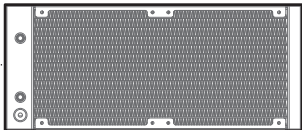
---





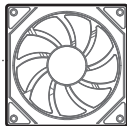
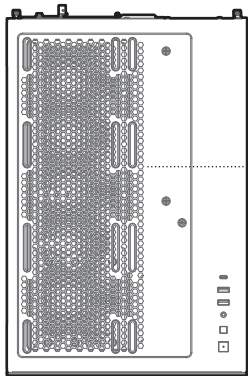
120mm×3

140mm×2

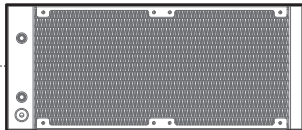


120/140/240/280mm

---

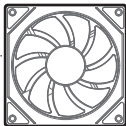
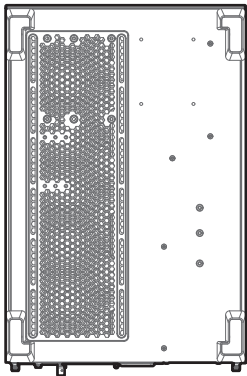


120mm×3  
140mm×2

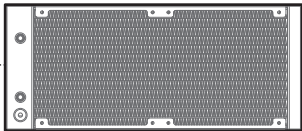


120/140/240/280/360mm

---

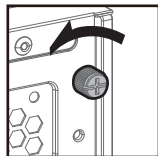
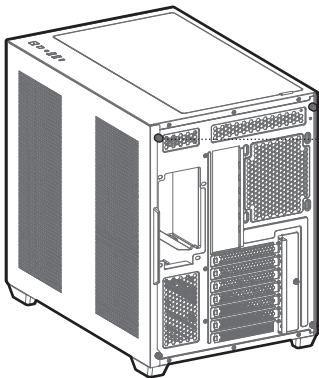


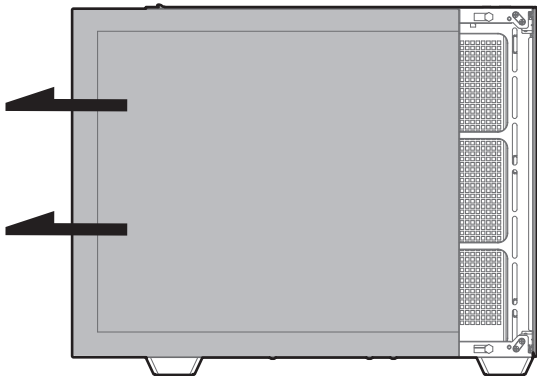
120mm×3  
3.5 HDD+2×120mm  
2.5 SSD+2×120mm

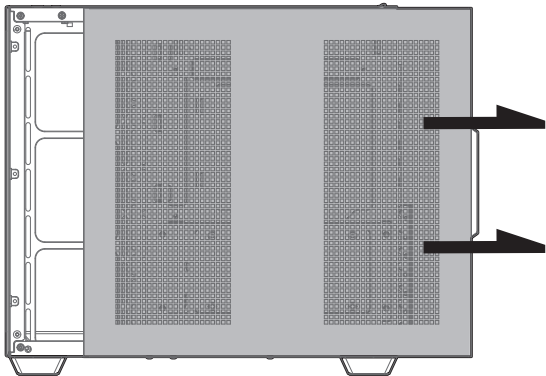


120/240/360mm

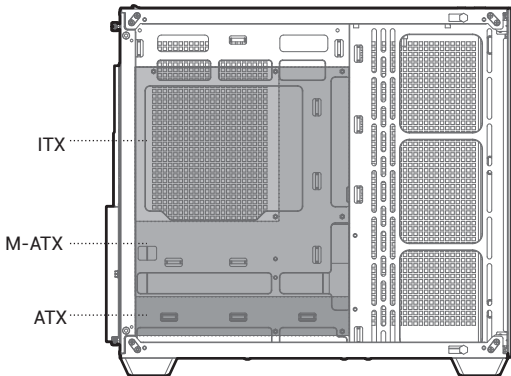
## Removing the Side Panel





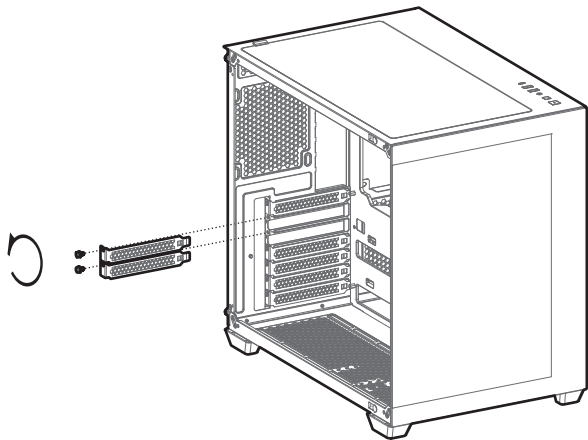


# Installing the Motherboard



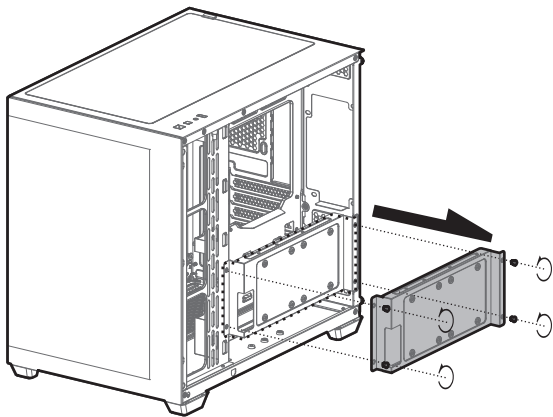
Rear Connector Motherboards:M-ATX/ATX

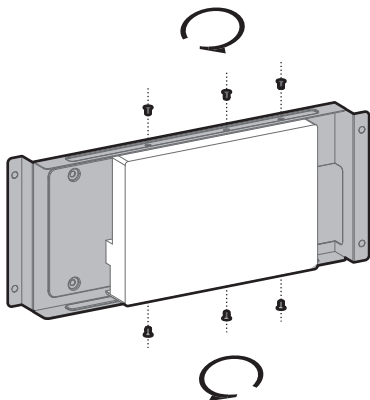
## Installing the GPU



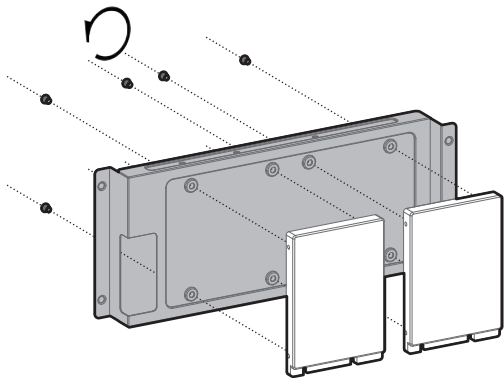


# Installing HDD

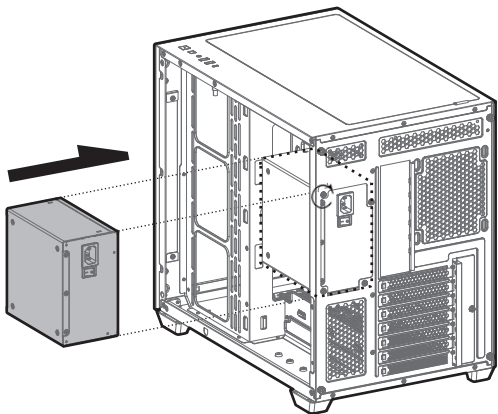




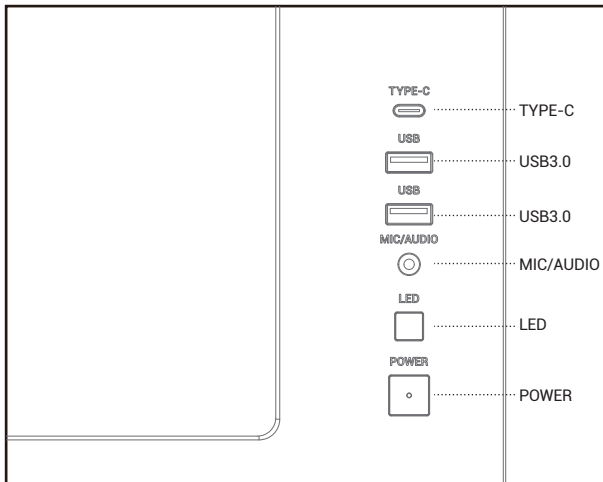
## Installing SSD



## Installing the Power Supply



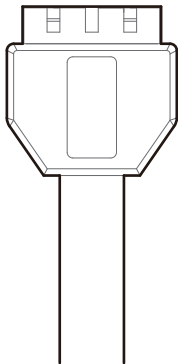
# I/O Panel Introduction



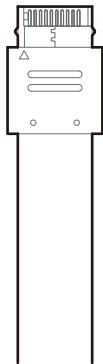
## Installing the Front I/O Connectors

---

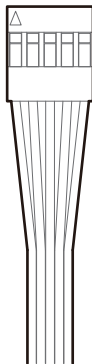
USB3.0



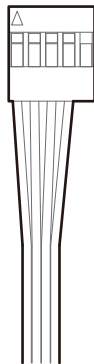
TYPE-C



HD AUDIO



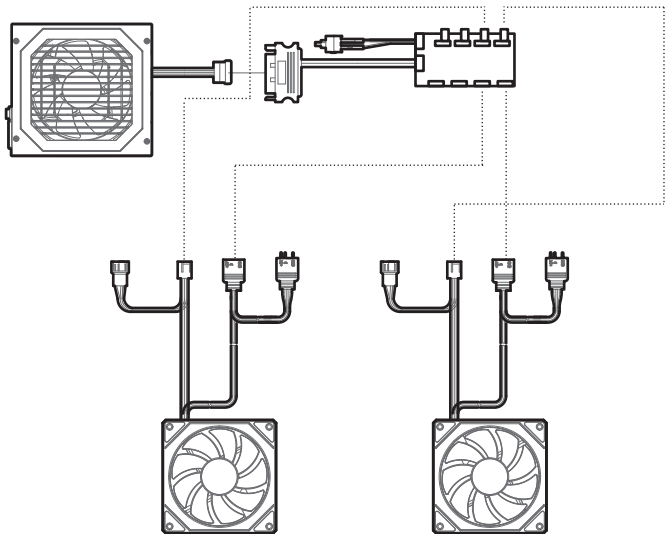
F\_PANEL



LED/SW

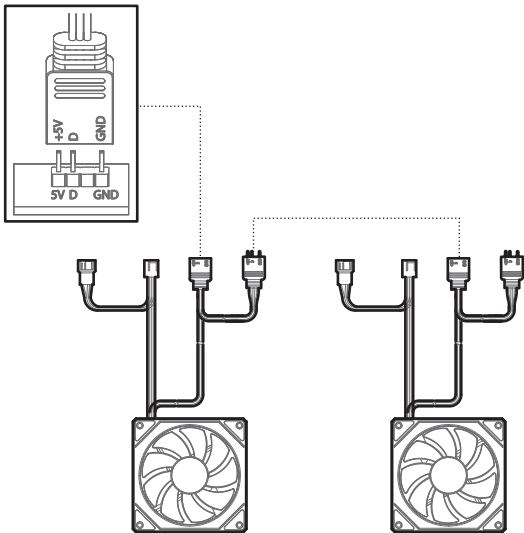


## Manual ARGB&Fan Wiring



For reference only, please refer to the real product.

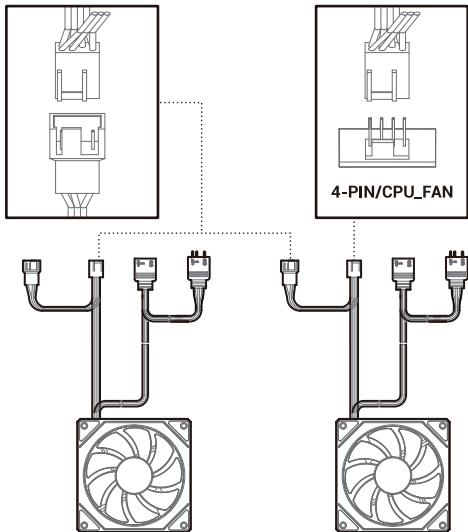
## Motherboard RGB Synchronization



For reference only, please refer to the real product.



## Fan Power Line Wiring



For reference only, please refer to the real product.



部件名称	有毒有害物质或元素					
	铅 (Pb)	汞 (Hg)	镉 (Cd)	六价铬 (Cr+6)	多溴联苯 (PBB)	多溴二苯醚 (PBDE)
机壳	○	○	○	○	○	○
塑胶	○	○	○	○	○	○
螺丝	○	○	○	○	○	○
集成电路	○	○	○	○	○	○
零件包	○	○	○	○	○	○

本表格依据SJ/T 11364的规定编制。

环保使用期限标识表示产品在正常工作温度和湿度等条件下的环保使用年限为10年。

○：表示该有害物质在该部件所有均质材料中的含量均在GB/T 26572规定的限量要求以下。

×：表示该有害物质至少在该部件的某一均质材料中的含量超出GB/T 26572规定的限量要求，且因技术发展水平限制而无成熟方案替代，均符合欧盟RoHS法规环保指令。



