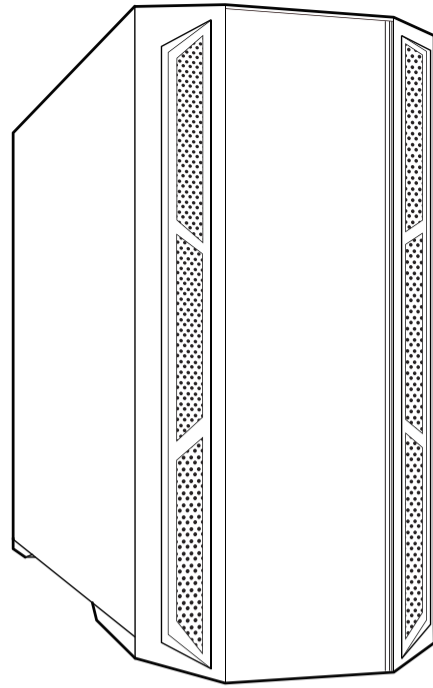




CHIEFTEC APEX Q



Product Manual

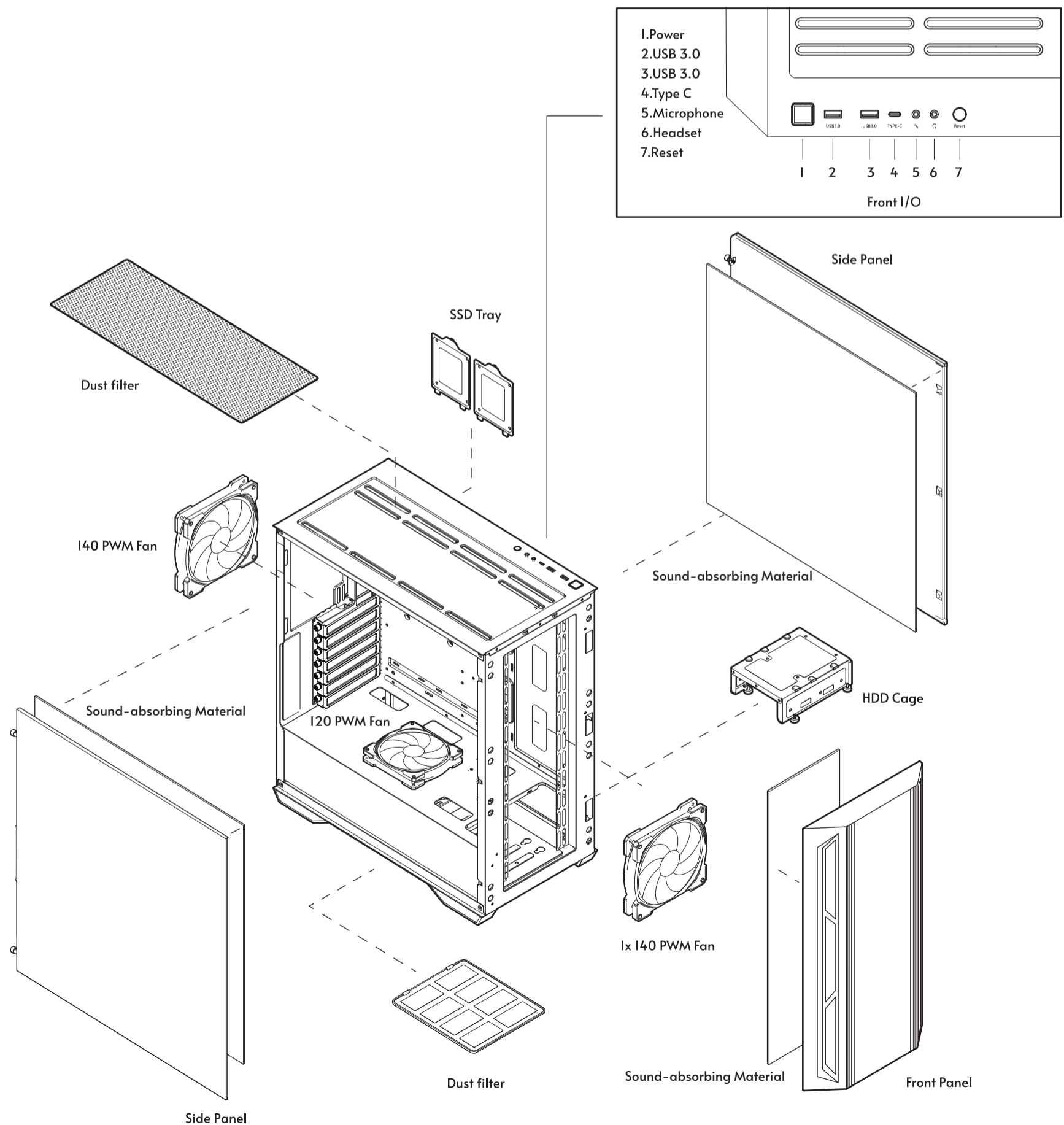
Specification

Model	APEX Q
Article no.	GA-01B-Q-OP
Color	Black
Material	Material 0.6mm SPCC, special sound-absorbing material added to the front, left and right panels
Motherboard support	Mini ITX, mATX, ATX,E-ATX
Dimension (DxWxH)	465mm x 230mm x 495mm
Drive bay external	-
Drive bay internal	3x 2.5" and 2x 3.5"
Power supply	ATX PSU (optional, ~220mm)
Front I/O	1x USB3.2 Gen2 Type C, 2x USB3.0, Audio-out (AZALIA / HD-Audio), Mic-In
Scope of delivery	Set of screws, instruction manual Front: 1x 140mm PWM fans pre-installed Rear: 1x 140mm PWM fan pre-installed PSU cover: 1x 120mm PWM fan pre-installed
Expansion slots	7
Cooling (optional)	Front: 120 / 140 / 240 / 280 / 360 / 420 Top: 120 / 140 / 240 / 280 / 360 Rear: 120 / 140 PSU Cover: 2 x 120 Side: 2 x 120
CPU cooler height (max.)	175mm
VGA card length (max.)	400mm

-  x 32 Screws for Motherboard / SSD
-  x 8 HDD Screws
-  x 8 PSU Screws
-  x 3 Motherboard Standoff Tool
-  x 1 Standoff Socket
-  x 10 Cable Tie

Exploded View

APEX Q
Computer Case / E-ATX Tower
GA-01B-Q-OP



Manufacturer | Arena Electronic GmbH
Koppersstr. 18, 40549 Düsseldorf, Germany
www.chieftec.eu