

Product Specifications

SM86 Cardioid Condenser Microphone

Overview

The SM86 is an award-winning, rugged cardioid condenser microphone with an extended high frequency response. Constructed with a three-point shock mount and a two-stage internal pop filter, the tailored frequency response of the SM86 delivers consistently smooth reproduction of lead vocals, even under the most extreme performance conditions.

Features

- Condenser cartridge for studio quality sound
- Tailored frequency response for a clear reproduction of vocals
- Rugged construction withstands the rigors of touring sound
- Cardioid polar pattern minimizes unwanted background noise
- Excellent choice for stage monitors and personal monitors
- Built-in three-point shock mount minimizes handling noise
- Two-stage "pop" filter reduces wind and breath noise

Available Models

SM86-LC	Includes Stand Adapter and Zippered Pouch
----------------	---

Specifications

Type	Condenser
Frequency Response	50 to 18,000 Hz
Polar Pattern	Cardioid
Sensitivity (at 1,000 Hz)	Open Circuit Voltage: -50 dBV/Pa (3.15 mV) (1 Pa = 94 dB SPL)
Impedance	150 Ohms at 1 kHz Recommended minimum load impedance: 600 Ohms
Output Clipping Level	1000 Ohm Load at 1,000 Hz: +3 dBV (1.41 V)
Maximum SPL (at 1,000 Hz)	1000 ohm load (1% THD): 147 dB
Self-Noise	23 dB typical, A-weighted
Dynamic Range (1000 ohms)	124 dB (maximum SPL to A-weighted noise level)
Signal-to-Noise Ratio	71 dB at 94 dB SPL (IEC 651) S/N ratio is difference between 94 dB SPL and equivalent SPL of self-noise A-weighted.
Polarity	Positive pressure on diaphragm produces positive voltage on pin 2 relative to pin 3 of the output connector.
Power Requirements	11 to 52 Vdc, 5.2 mA
Case	Dark gray, enamel-painted, die-cast with a stainless steel grille
Connector	Three-pin professional audio connector (male XLR type)
Net Weight	284 grams (10 oz)
Dimensions	183 mm (6-3/16 in.) L x 49 mm (1-1/4 in.) W at the widest point

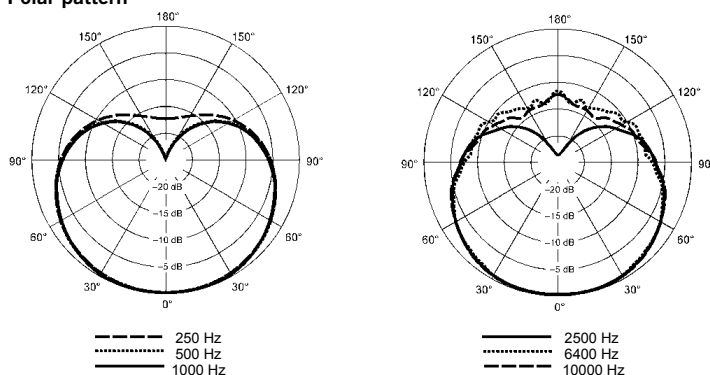


SM86

Optional Accessories and Replacement Parts

A25D	Microphone Clip	A55M	Shock Stopper Clip	A55HM	Shock Stopper Half Clip
A85WS	Microphone Windscreen	RPM226	Replacement Grille		

Polar pattern



Frequency response

