

D6702

Infrared Wireless Discussion Conference System Chairman Microphone



Description

The conference unit uses rechargeable lithium battery, which is convenient and environmentally friendly. It can be charged with a charging box or with an adapter. The system is easy to install and operate, economical and practical, and is the best choice for conference projects.

Features

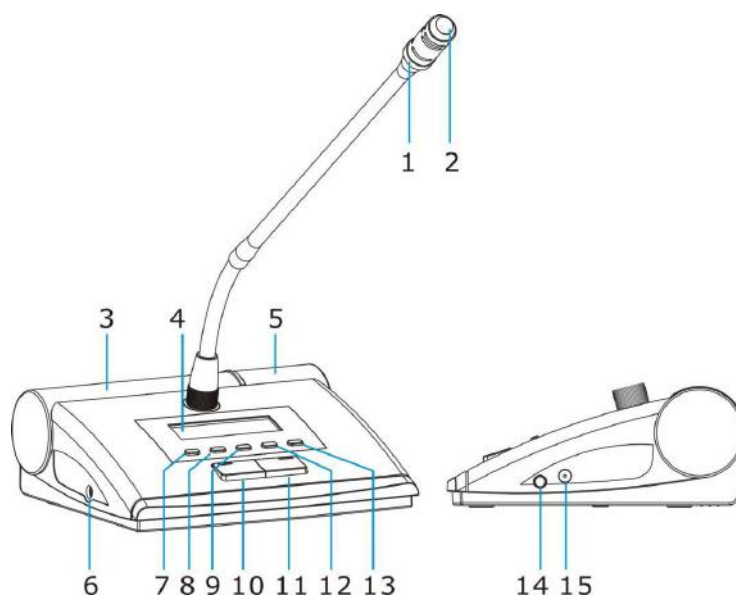
- The chairman unit in the system is not restricted by the Limit mode, and does not participate in the FIFO mode.
- The chairman unit in the system occupies one chairman channel, and can have multiple chairman units, and only one chairman unit can be opened at the same time.
- It has the priority function of forcibly cutting off the speaking of conference mics.
- It has Chairman Only mode.

Specifications

Model	D6702
Communication Mode	IR Wireless Mode
Frequency Range	2MHz-3MHz
Demodulation Method	FM/FSK
Infrared Radiation Power	+10dBm
MIC Sensitivity	-44dB±2dB

Frequency Response	100Hz-12KHz
Distortion	<0.5%
Reference Speaking Distance	10-30cm
Built-in Power Supply	Lithium polymer battery 12V/4000MAH
Power	4W
Working Temperature	0°C-40°C
Microphone Rod Length	400mm
Dimensions	168×145×60mm
Weight	1.2kg (with battery)

Front / Rear Panel



- | | |
|--|--|
| 1. Light Ring: Red when the unit is in the speaking state. | 2. Super Directional Condenser Pickup |
| 3. IR Transmitting Window | 4. Display Screen |
| 5. IR Receiving Window | 6. Monitor Headphone Jack |
| 7. Mute Button | 8. MIC VOL+/Up Button (VOL+) |
| 9. MIC VOL-/Down Button (VOL-) | 10. MIC Speak ON/OFF Button |
| 11. Chairman Priority Button (The delegate unit does not have this button.) | 13. Voting Button (Used for voting) |
| 12. Voting Button (Used for voting) | 15. MIC External Power Input Socket |
| 14. MIC Power ON/OFF Button | |