



# ME 4

Clip-On Microphone

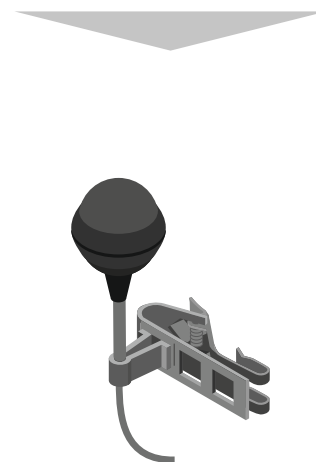
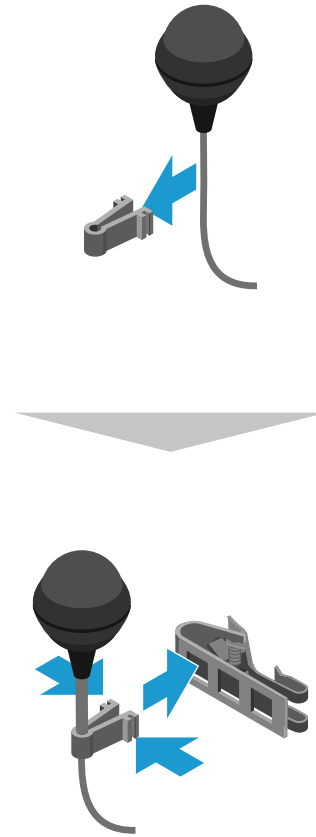
Quick Guide	Kort vejledning
Kurzanleitung	Pikaohje
Guide de démarrage rapide	Σύντομες οδηγίες
Guida rapida	Kısa Kılavuz
Instrucciones resumidas	Краткая инструкция
Instruções resumidas	快速指南
Beknopte gebruiksaanwijzing	快速使用指南
Krótko instrukcja obsługi	クイックガイド
Snabbguide	요약 안내서

**SENNHEISER**

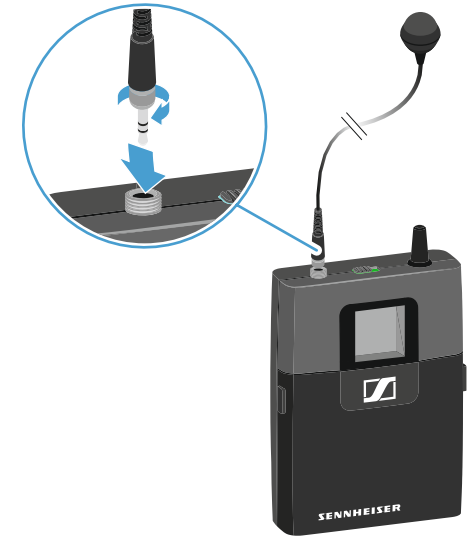
## In the box



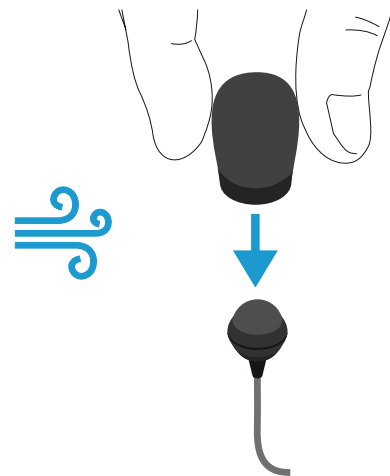
## Setup



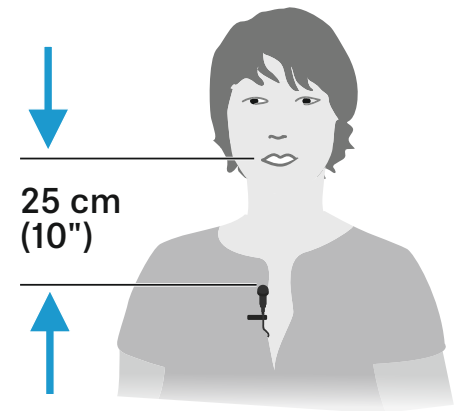
## Setup



## Accessory



## Wearing the microphone



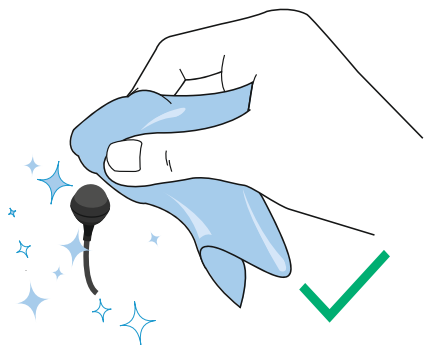
Sennheiser electronic GmbH & Co. KG

Am Labor 1, 30900 Wedemark, Germany  
www.sennheiser.com

Publ. 10/21, 587438/A03



## Cleaning



## Specifications

Transducer principle	pre-polarized condensor microphone
Pick-up pattern	cardioid
Sensitivity in free field (1 kHz)	40 mV/Pa
Max. SPL at 1 kHz	120 dB
Frequency response	50 to 18,000 Hz
Equivalent noise level A-weighted	31 dB
Connector	3.5 mm jack
Cable length	approx. 1.60 m
Supply voltage	10 V
Diameter of microphone	13 mm

### Connector assignment

